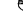

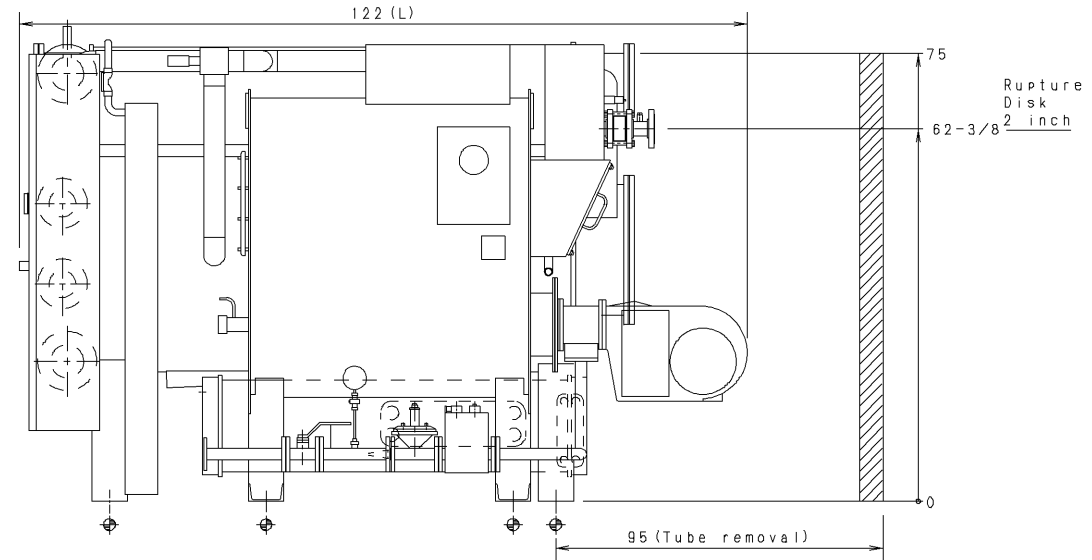
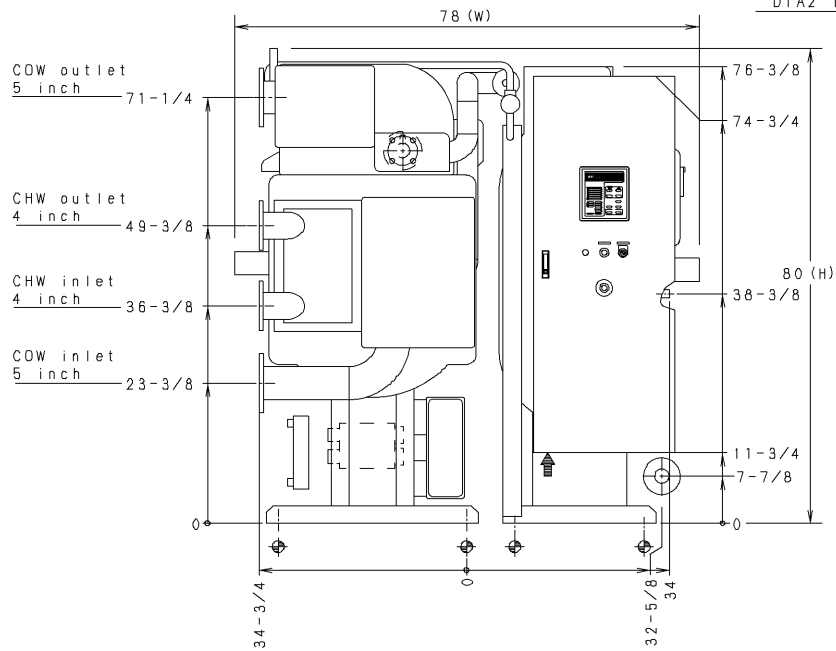
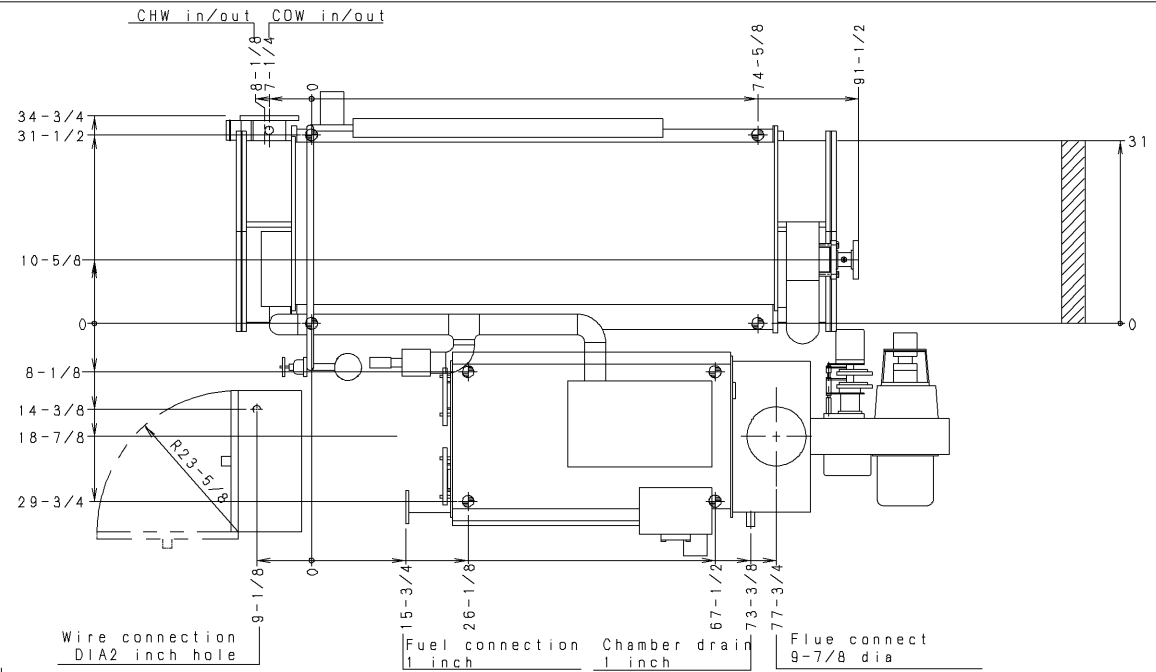


**NOTE**

- (1) DIMENSIONS (L), (W), (H), ARE FOR STANDARD MACHINE. THE DIMENSIONS ARE CHANGED BY PARTS ADDED.
- (2)  INDICATES THE POSITION OF ANCHOR BOLTS.
- (3) ALL EXTERNAL WATER & GAS PIPING ARE TO BE PROVIDED WITH WELDED ANSI 150LB FLANGES BY THE CUSTOMER.
- (4)  INDICATES THE POSITION OF THE POWER SUPPLY CONNECTION ON CONTROL PANEL. (DIA2 inch)
- (5) INSTALLATION CLEARANCE  
 ·LONGITUDINAL DISTANCE:40inch  
 ·TOP :8inch  
 ·OTHERS:20inch
- (6) FLUE CONNECTION  
 THE FLUE OUTLET IS FEMALE.  
 THE CONNECTION SIZE IS THE INSIDE DIAMETER.



E4 A3 C1 Gas 1"

**Carrier**  
**SANYO**

DIMENSIONS

TSA-16DJ-12

DJ-006-502-00-5