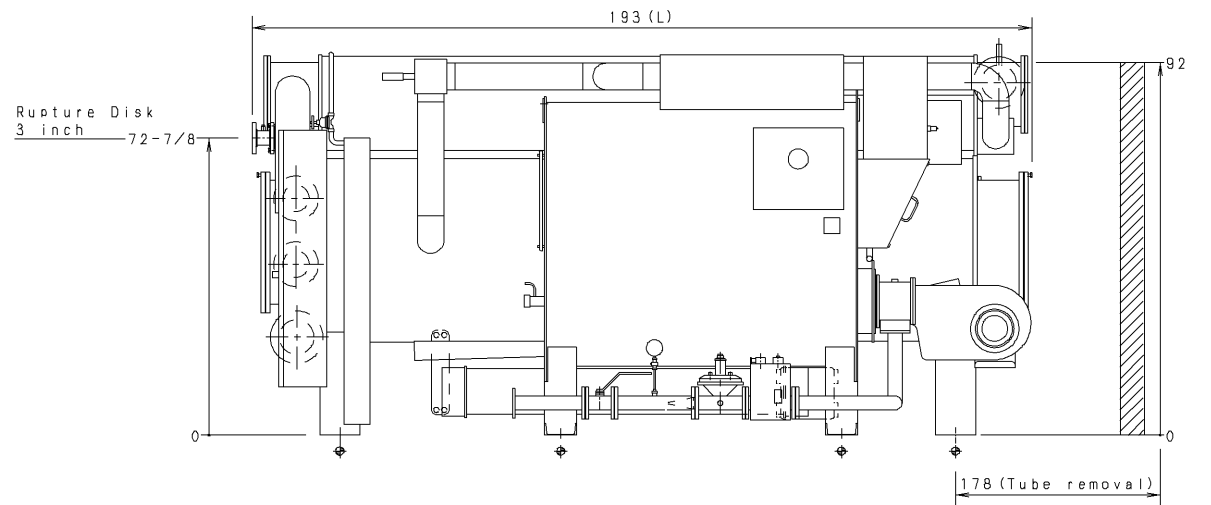
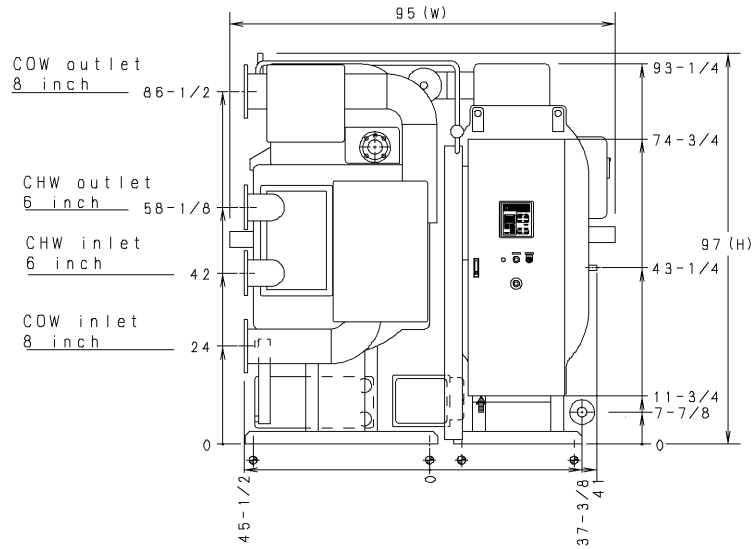
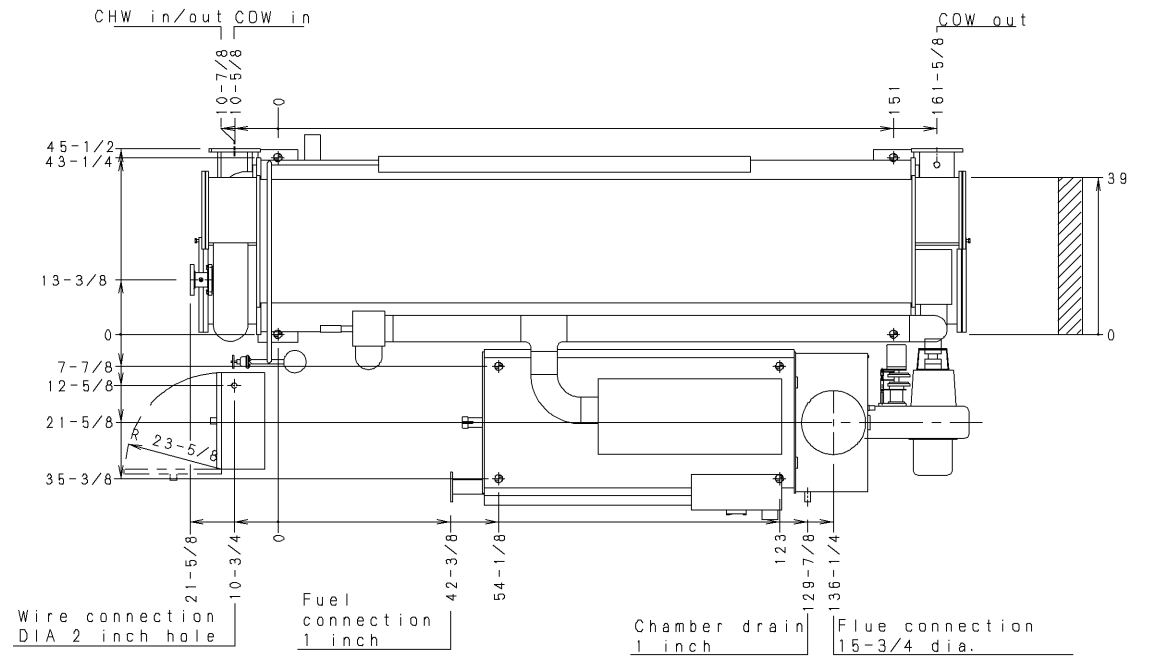


**NOTE**

- (1) DIMENSIONS (L). (W). (H). ARE FOR STANDARD MACHINE.  
THE DIMENSIONS ARE CHANGED BY PARTS ADDED.
- (2) ⊕ INDICATES THE POSITION OF ANCHOR BOLTS.
- (3) ALL EXTERNAL WATER & GAS PIPING ARE TO BE PROVIDED  
WITH WELDED ANSI 150LB FLANGES BY THE CUSTOMER.
- (4) ⚡ INDICATES THE POSITION OF THE POWER SUPPLY  
CONNECTION ON CONTROL PANEL. (DIA 2 inch)
- (5) INSTALLATION CLEARANCE  
·LONGITUDINAL DISTANCE:40 inch  
·TOP :8 inch  
·OTHERS:20 inch
- (6) FLUE CONNECTION  
THE FLUE OUTLET IS FEMALE.  
THE CONNECTION SIZE IS THE INSIDE DIAMETER.



E2 A2 C1 Gas 1"

**Carrier**  
**SANYO**

DIMENSIONS

TSA-16DJ-31

DJ-006-509-00-5