

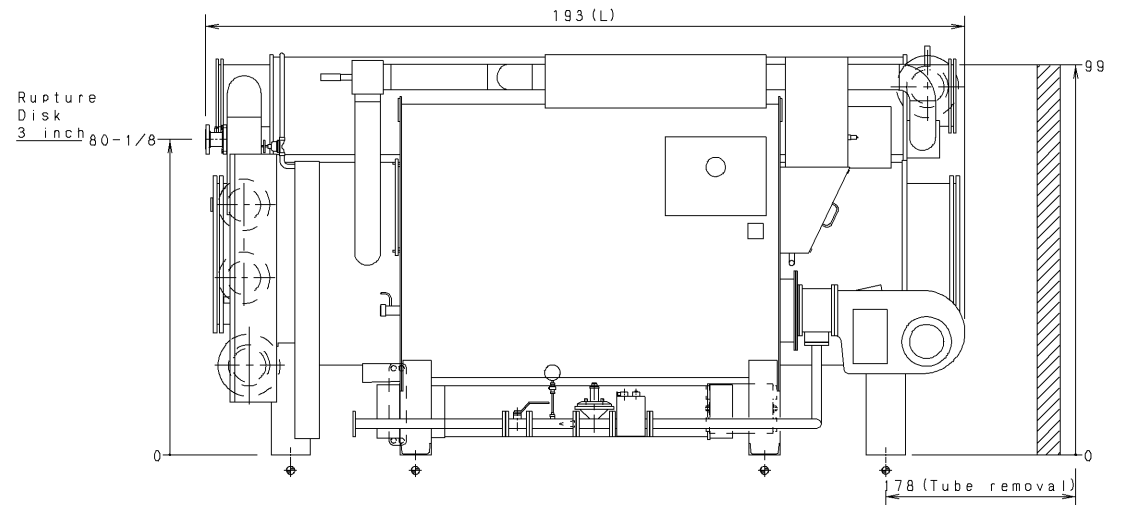
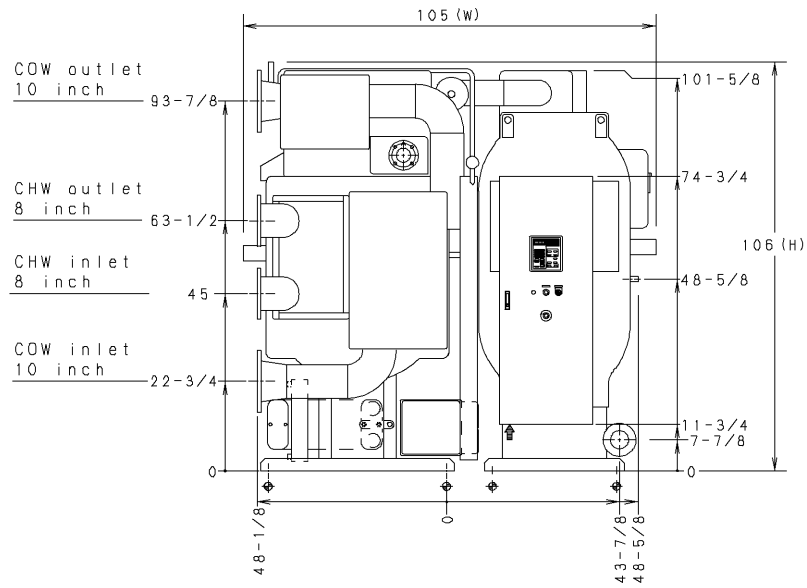
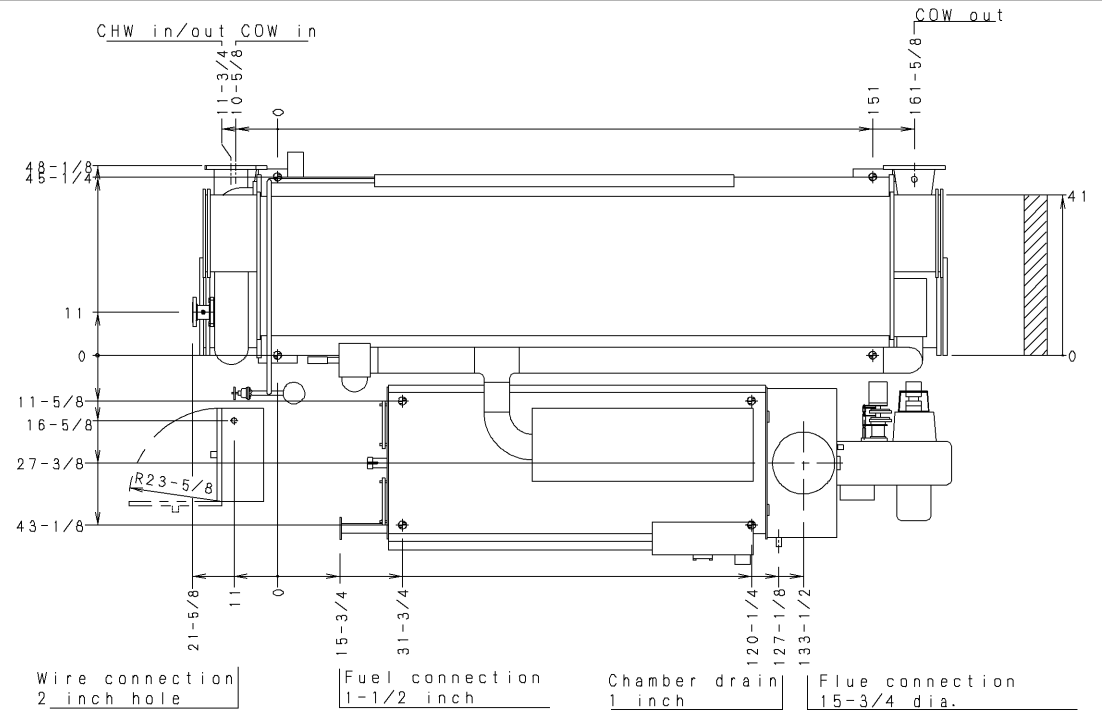


NOTE

- (1) DIMENSIONS (L). (W). (H). ARE FOR STANDARD MACHINE.
THE DIMENSIONS ARE CHANGED BY PARTS ADDED.
- (2)  INDICATES THE POSITION OF ANCHOR BOLTS.
- (3) ALL EXTERNAL WATER & GAS PIPING ARE TO BE PROVIDED WITH WELDED ANSI 150LB FLANGES BY THE CUSTOMER.
- (4)  INDICATES THE POSITION OF THE POWER SUPPLY CONNECTION ON CONTROL PANEL. (DIA 2 inch)
- (5) INSTALLATION CLEARANCE
·LONGITUDINAL DISTANCE:40 inch
·TDP :8 inch
·OTHERS:20 inch
- (6) FLUE CONNECTION
THE FLUE OUTLET IS FEMALE.
THE CONNECTION SIZE IS THE INSIDE DIAMETER.



E2 A2 C1 Gas 1-1/2"

Carrier
SANYO

DIMENSIONS

TSA-16DJ-42

DJ-006-512-00-5