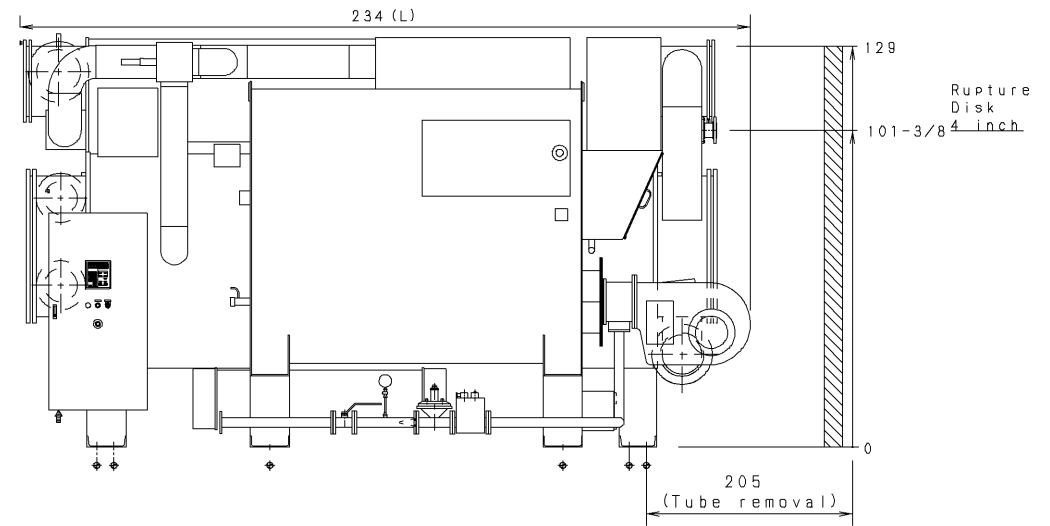
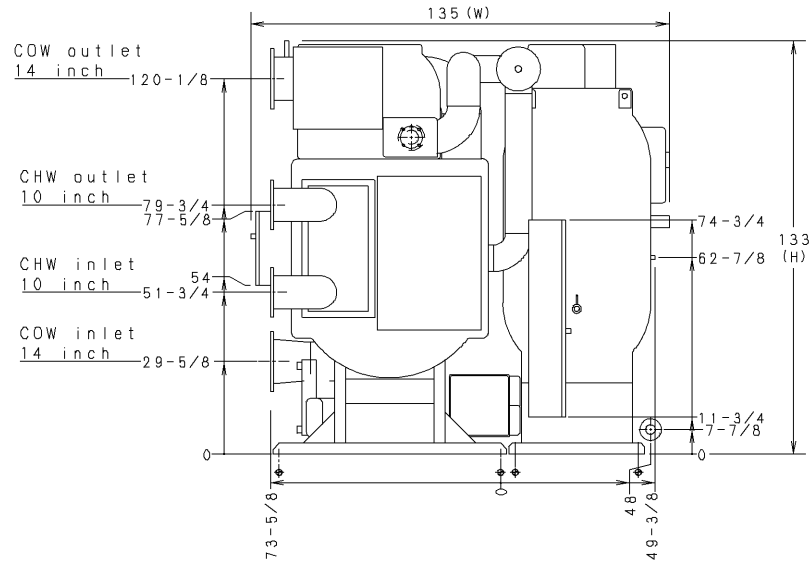
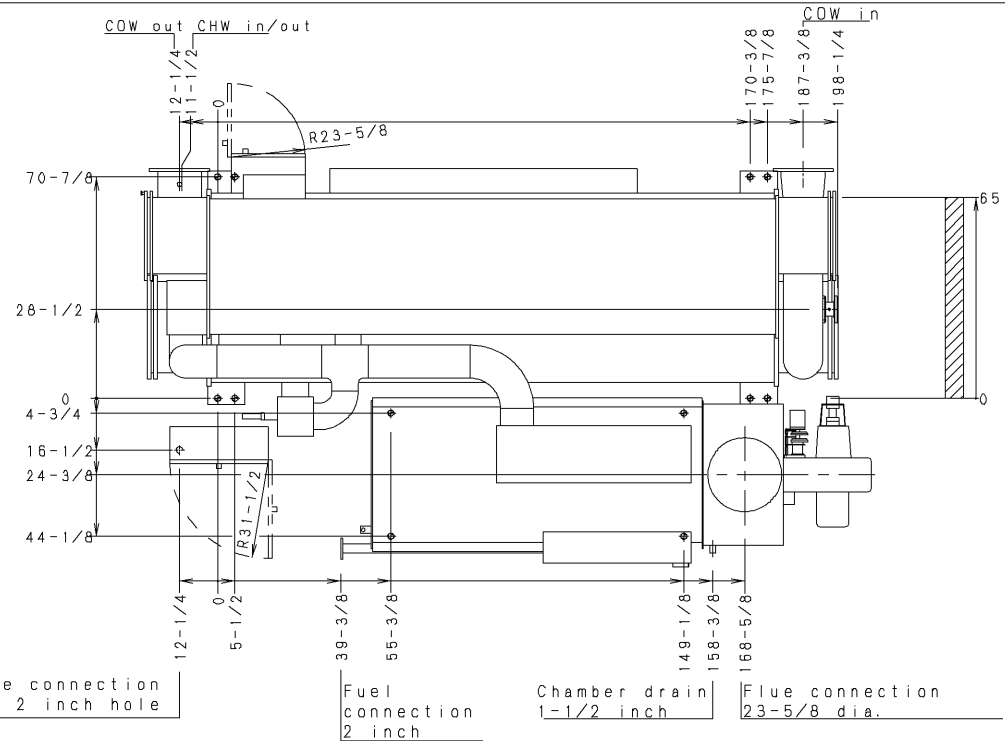


NOTE

- (1) DIMENSIONS (L), (W), (H) ARE FOR STANDARD MACHINE. THE DIMENSIONS ARE CHANGED BY PARTS ADDED.
- (2) ⊕ INDICATES THE POSITION OF ANCHOR BOLTS.
- (3) ALL EXTERNAL WATER & GAS PIPING ARE TO BE PROVIDED WITH WELDED ANSI 150LB FLANGES BY THE CUSTOMER.
- (4) ⚡ INDICATES THE POSITION OF THE POWER SUPPLY CONNECTION ON CONTROL PANEL. (DIA 2 inch)
- (5) INSTALLATION CLEARANCE
 · LONGITUDINAL DISTANCE: 40 inch
 · TOP : 8 inch
 · OTHERS: 20 inch
- (6) FLUE CONNECTION
 THE FLUE OUTLET IS FEMALE.
 THE CONNECTION SIZE IS THE INSIDE DIAMETER.



E2 A2 C1 Gas 2"

Carrier
SANYO

DIMENSIONS

TSA-16DJ-61

DJ-006-516-00-5