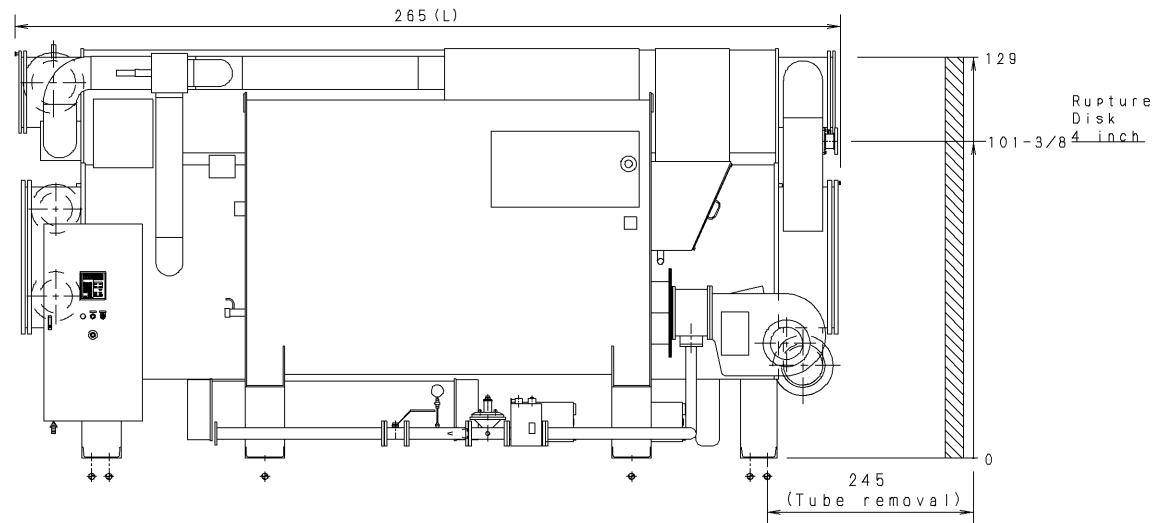
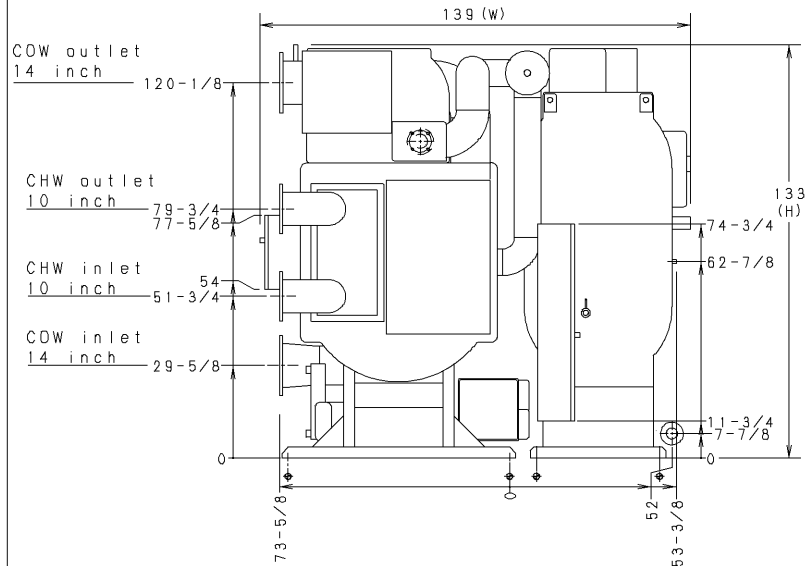
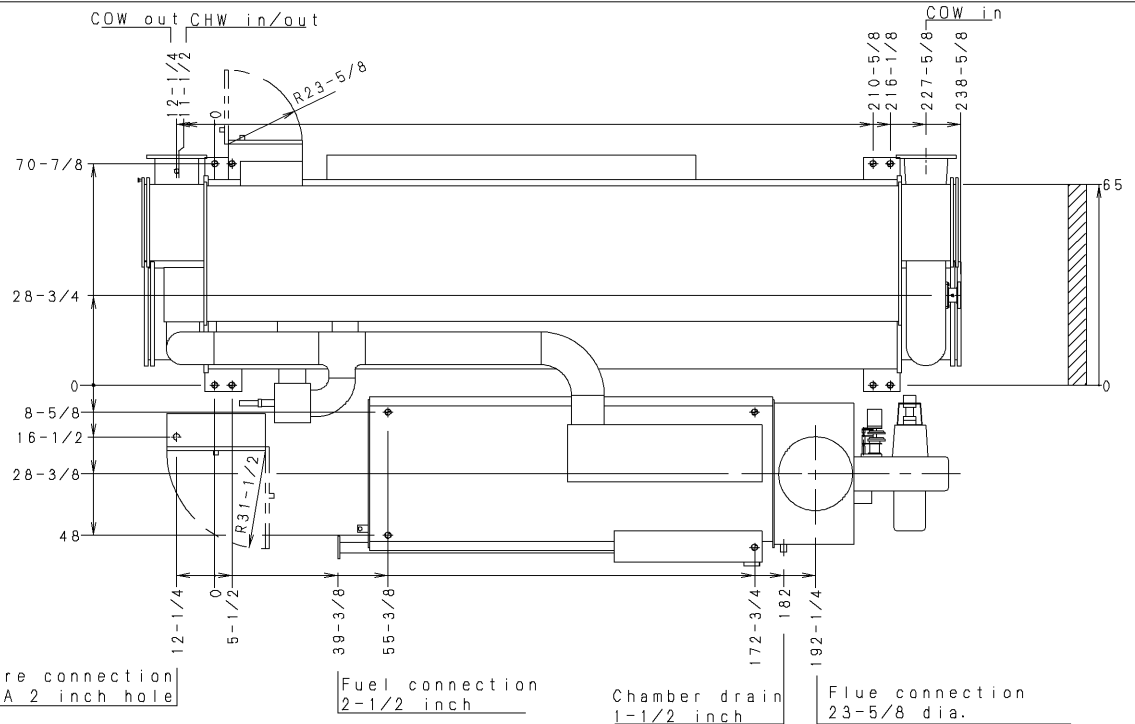


**NOTE**

- (1) DIMENSIONS (L), (W), (H), ARE FOR STANDARD MACHINE. THE DIMENSIONS ARE CHANGED BY PARTS ADDED.
- (2) ⊕ INDICATES THE POSITION OF ANCHOR BOLTS.
- (3) ALL EXTERNAL WATER & GAS PIPING ARE TO BE PROVIDED WITH WELDED ANSI 150LB FLANGES BY THE CUSTOMER.
- (4) ⚡ INDICATES THE POSITION OF THE POWER SUPPLY CONNECTION ON CONTROL PANEL. (DIA 2 inch)
- (5) INSTALLATION CLEARANCE  
 · LONGITUDINAL DISTANCE: 40 inch  
 · TOP : 8 inch  
 · OTHERS: 20 inch
- (6) FLUE CONNECTION  
 THE FLUE OUTLET IS FEMALE.  
 THE CONNECTION SIZE IS THE INSIDE DIAMETER.



E2 A2 C1 Gas 2-1/2"

**Carrier**  
**SANYO**

DIMENSIONS

TSA-16DJ-63

DJ-006-518-00-5