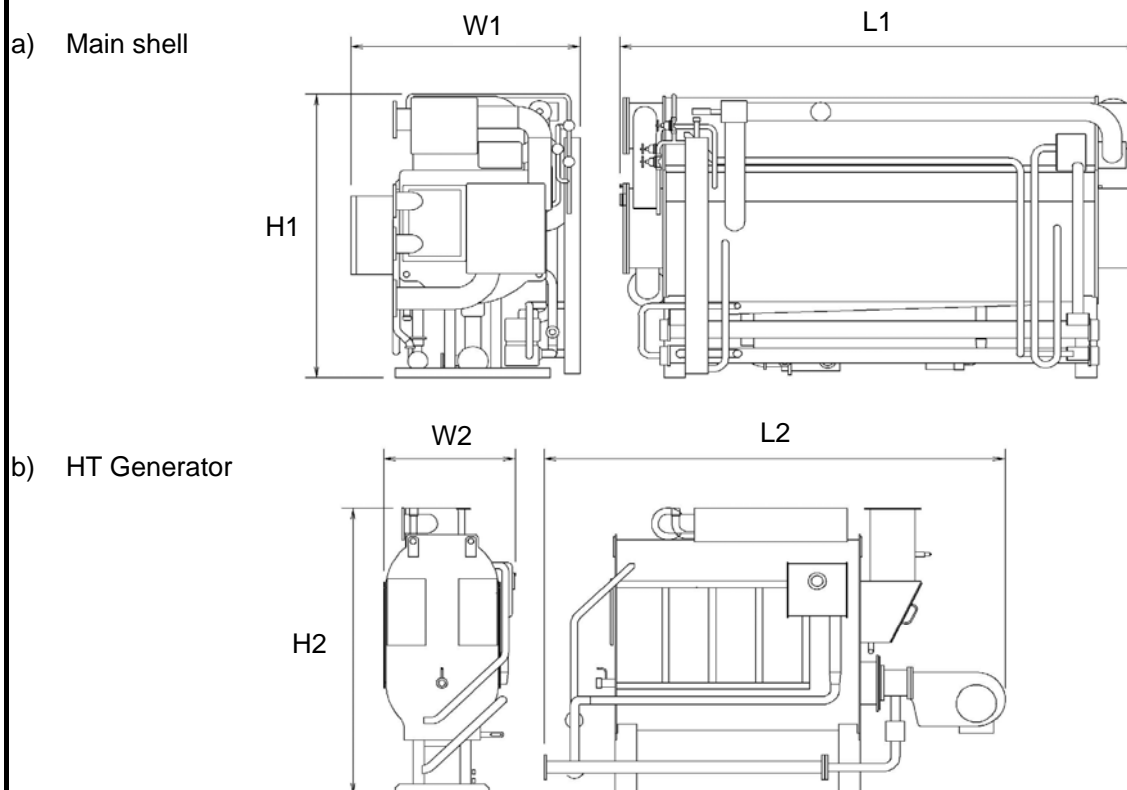


Two-pieces shipping

TSA-16	Main shell				HT Generator				Solution	
	L1	W1	H1	Weight	L2	W2	H2	Weight	Weight	Bottle
	mm	mm	mm	kg	mm	mm	mm	kg		
DJ-11	2,750	1,300	2,060	2,700	2,360	920	1,990	1,000	900	3
DJ-12	2,750	1,300	2,060	2,800	2,360	920	1,990	1,100	1,000	3
DJ-13	3,750	1,310	2,060	3,300	2,450	1,010	1,990	1,200	1,300	4
DJ-14	3,750	1,310	2,060	3,500	2,710	1,010	1,990	1,400	1,400	4
DJ-21	3,770	1,490	2,250	4,100	2,740	1,030	2,190	1,600	1,600	5
DJ-22	3,770	1,490	2,250	4,300	2,940	1,030	2,190	1,700	1,700	5
DJ-23	4,790	1,490	2,270	5,000	3,330	1,030	2,190	2,400	2,000	6
DJ-24	4,790	1,490	2,270	5,200	3,530	1,030	2,190	2,500	2,200	7
DJ-31	4,940	1,530	2,490	6,500	3,540	1,130	2,420	2,700	2,600	8
DJ-32	4,940	1,530	2,490	6,900	3,540	1,130	2,420	2,900	2,700	8
DJ-41	4,940	1,690	2,740	7,900	3,850	1,230	2,630	3,400	3,300	10
DJ-42	4,940	1,690	2,740	8,200	4,000	1,230	2,630	3,600	3,500	10

- Note) 1) Above dimensions are not included packing size.
 2) Control panel (1600 x 600 x 300mm, 100kg) is shipped separately.
 3) Solution bottle size is 600 x 600 x 950mm.
 The solution weight is included bottle weight.



Carrier
SANYO

**Shipping dimensions
(Two-pieces shipping)**

Model

TSA-16DJ

Drawing code

DJ-008-131-21-0