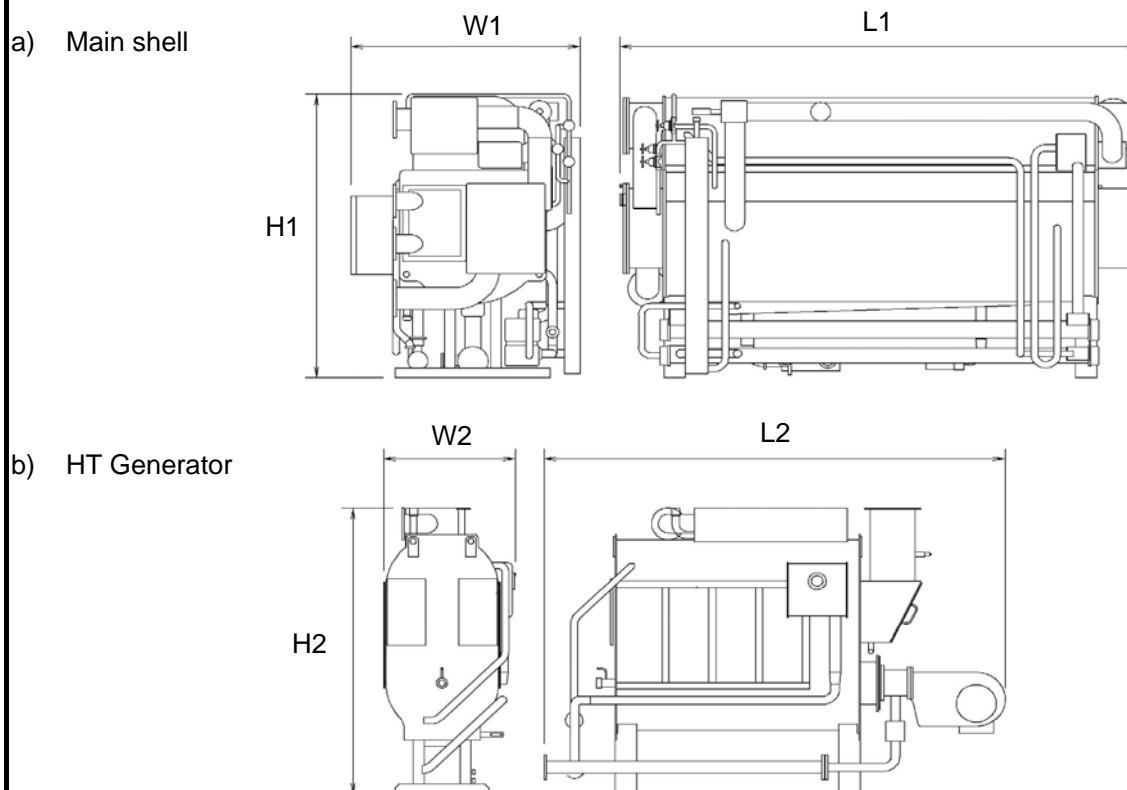


Two-pieces shipping

TSA-16	Main shell				HT Generator				Solution	
	L1 inch	W1 inch	H1 inch	Weight lb	L2 inch	W2 inch	H2 inch	Weight lb	Weight lb	Bottle
DJ-11	109	52	82	6,000	93	37	79	2,300	2,000	3
DJ-12	109	52	82	6,200	93	37	79	2,500	2,300	3
DJ-13	148	52	82	7,300	97	40	79	2,700	2,900	4
DJ-14	148	52	82	7,800	107	40	79	3,100	3,100	4
DJ-21	149	59	89	9,100	108	41	87	3,600	3,600	5
DJ-22	149	59	89	9,500	116	41	87	3,800	3,800	5
DJ-23	189	59	90	11,100	132	41	87	5,300	4,500	6
DJ-24	189	59	90	11,500	139	41	87	5,600	4,900	7
DJ-31	195	61	99	14,400	140	45	96	6,000	5,800	8
DJ-32	195	61	99	15,300	140	45	96	6,400	6,000	8
DJ-41	195	67	108	17,500	152	49	104	7,500	7,300	10
DJ-42	195	67	108	18,100	158	49	104	8,000	7,800	10

- Note)
- 1) Above dimensions are not included packing size.
 - 2) Control panel (63 x 24 x 12 inch, 220 lbs) is shipped separately.
 - 3) Solution bottle size is 24 x 24 x 38 inch.
The solution weight is included bottle weight.



Carrier
SANYO

**Shipping dimensions
(Two-pieces shipping)**

Model

TSA-16DJ

Drawing code

DJ-008-131-26-0