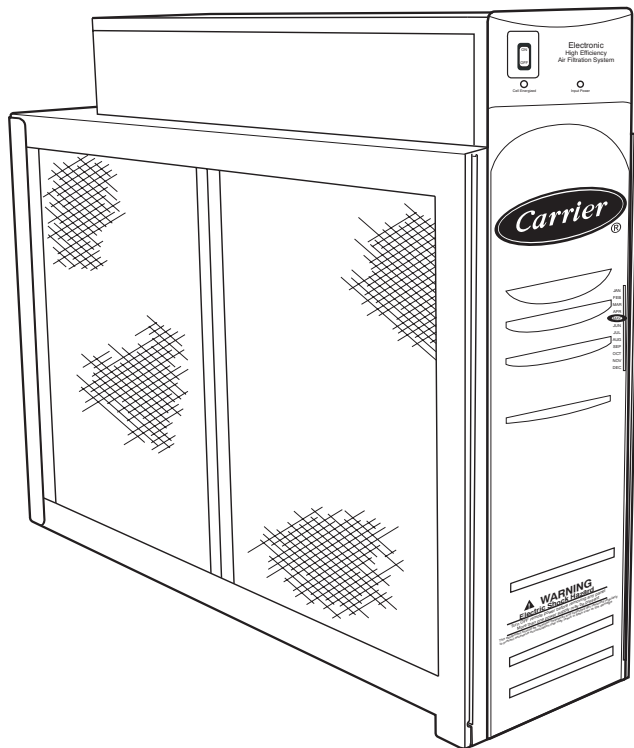


**EACB**  
**Electronic Air Cleaner**  
**Performance™ Series**  
**Sizes 0014, 1614, 0020 and 2020**



Turn to the Experts.™

## Product Data



C04008

Performance  
SERIES

This duct mounted electronic air cleaner is available in 1350 through 2000 CFM models. EACB also comes in 4 sizes (120V) and 1 size (240V) to meet your furnace and fan coil application needs. Designed to remove airborne particles down to 0.01 microns in size, the EACB effectively removes such particles as dust, dirt, lint, and pollen from your customer's home.

The electronic components of the Model EACB convert the 120V or 240V power supply to a 6200V VDC that imparts an electrical charge to airborne particles such as smoke, bacteria, pollen, and dust. This charge causes these particles to attach themselves to the charged collecting plates, thus cleaning the airstream.

The resulting high cleaning efficiency enables the EACB to also trap the smoke and extremely fine dust particles (from 0.01 to 5 microns in size) that are not removed by an ordinary throw-away-type filter. These ultra-fine particles are the cause of most of the soil (smudging) of walls, draperies, curtains, etc.

The Model EACB is designed to adapt to various types of return-air duct systems and can be mounted in either a vertical or horizontal position.

### FEATURES/BENEFITS

**Compact** - Four cabinet sizes meet most application requirements. Fully Assembled - EACB unit is fully assembled and ready for installation.

**Low Operating Costs** - The monthly cost of operating these electronic air cleaner is less than that for a 60-watt light bulb.

**Clean Cell Reminder** - These units are equipped with a month indicator to remind the homeowner when to clean the cells.

**Airflow Sensor** - The EACB comes standard with airflow sensor.

**Power Cord** - This unit comes with a 6-ft (1.8 m) power cord to help with ease of installation.

**Versatility** - Airflow direction through the EACB can be reversed by simply reversing the pre-filter and cell assemblies within the cabinet.

**Easily Cleaned** - Soak and rinse cells; vacuum pre-filters.

**Application Possibilities** - Unit can be installed in a horizontal or vertical position, which makes it equally adaptable to basement, horizontal, downflow, or standard upflow applications. Furnace can be mounted on top of air cleaner without adapters.

**Solid-State Power Supply** - Power supply is a highly reliable state-of-the-art, solid-state, high-voltage device.

**Durable Cabinet** - Heavy-gauge steel cabinet supports up to 400 lb (181 kg) when installed beneath an upflow furnace.

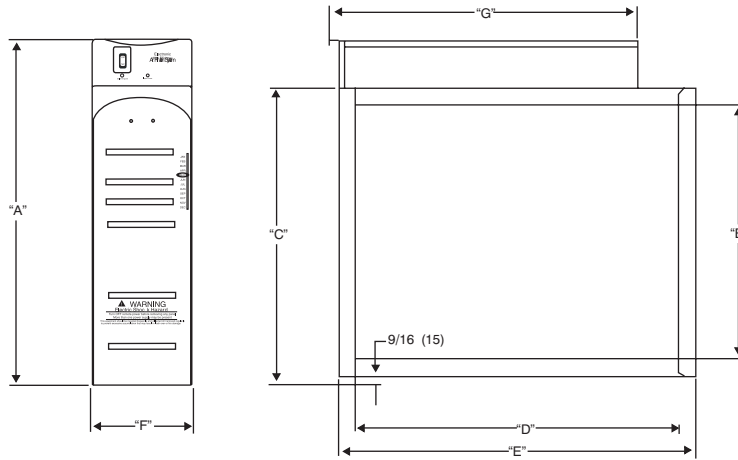
**Agency Listed** - Model EACB Electronic Air Cleaner is cULus listed.

**Financing** - Eligible for consumer financing program.

**Limited Warranty** - Five-year warranty on the unit with a \$25 labor allowance for service calls within the first 120 days after installation; 5-year warranty on power supply with \$50 labor allowance, within the first 120 days.

## MODEL NUMBER NOMENCLATURE

|  |        |   |          |         |   |
|--|--------|---|----------|---------|---|
| 1-3                                    | 4      | 5   | 6        | 7-8     | 9-12  |
| EAC                                    | B      | A   | -        | CC      | 0014  |
| Product Type<br>Electronic Air Cleaner | Series | Electrical Supply<br>A-120/1/60<br>B-240/1/60 | Not Used | Carrier | Size<br>0014 (120V)<br>0020 (120V)<br>1614 (120V)<br>2020 (120V)<br>2020 (240V) |



C04007

## DIMENSIONS

| MODEL     | A                   | B                   | C                     | D                   | E                   | F                  | G                    |
|-----------|---------------------|---------------------|-----------------------|---------------------|---------------------|--------------------|----------------------|
| EACB-0014 | 20-1/4"<br>(514 mm) | 13-7/8"<br>(352 mm) | 16-15/16"<br>(430 mm) | 22-1/2"<br>(572 mm) | 26-1/4"<br>(667 mm) | 7-1/8"<br>(181 mm) | 21-1/16"<br>(535 mm) |
| EACB-0020 | 24-1/4"<br>(616 mm) | 17-7/8"<br>(454 mm) | 20-15/16"<br>(532 mm) | 22-1/2"<br>(572 mm) | 26-1/4"<br>(667 mm) | 7-1/8"<br>(181 mm) | 21-1/16"<br>(535 mm) |
| EACB-1614 | 20-1/4"<br>(514 mm) | 13-7/8"<br>(352 mm) | 16-15/16"<br>(430 mm) | 19"<br>(483 mm)     | 22-3/4"<br>(578 mm) | 7-1/8"<br>(181 mm) | 18-5/8"<br>(473 mm)  |
| EACB-2020 | 24-1/4"<br>(616 mm) | 17-7/8"<br>(454 mm) | 20-15/16"<br>(532 mm) | 19"<br>(483 mm)     | 22-3/4"<br>(578 mm) | 7-1/8"<br>(181 mm) | 18-5/8"<br>(473 mm)  |

## PERFORMANCE DATA

| MODEL                                | EACB-1614                      | EACB-2020                      | EACB-0014                      | EACB-0020                      |
|--------------------------------------|--------------------------------|--------------------------------|--------------------------------|--------------------------------|
| Maximum Capacity                     | 1200 – 1350 CFM*               | 1600 – 2000 CFM*               | 1400 CFM                       | 2000 CFM                       |
| Efficiency at Rated CFM              | 52% at 1350 CFM                | 50% at 2000 CFM                | 68% at 1400 CFM                | 65% at 2000 CFM                |
| Pressure Drop (in wc)                | 0.14 at 1350 CFM*              | 0.22 at 2000 CFM*              | 0.11 at 1400 CFM               | 0.14 at 2000 CFM               |
| Ozone Generation                     | Less than 25 ppb               | Less than 25 ppb               | Less than 25 ppb               | Less than 25 ppb               |
| Temperature Rating                   | 32°F to 125°F<br>(0°C to 52°C) | 32°F to 125°F<br>(0°C to 52°C) | 32°F to 125°F<br>(0°C to 52°C) | 32°F to 125°F<br>(0°C to 52°C) |
| Input Volts                          | 120                            | 120 & 240                      | 120                            | 120                            |
| Input Hertz                          | 50/60                          | 50/60                          | 50/60                          | 50/60                          |
| Normal Operation Input Power (Watts) | 18.5                           | 18.5                           | 18.5                           | 23                             |
| Max Input Power (Watts)              | 40                             | 40                             | 40                             | 48                             |
| Electrical Output                    | 2.5 mA @ 6.2 kVDC              | 2.5 mA @ 6.2 kVDC              | 2.5 mA @ 6.2 kVDC              | 3.2 mA @ 6.2 kVDC              |

\* Pressure drop at maximum CFM. Filter efficiency is less than peak at this higher airflow. Refer to the Efficiency and Pressure Drop Performance chart below for different applications.

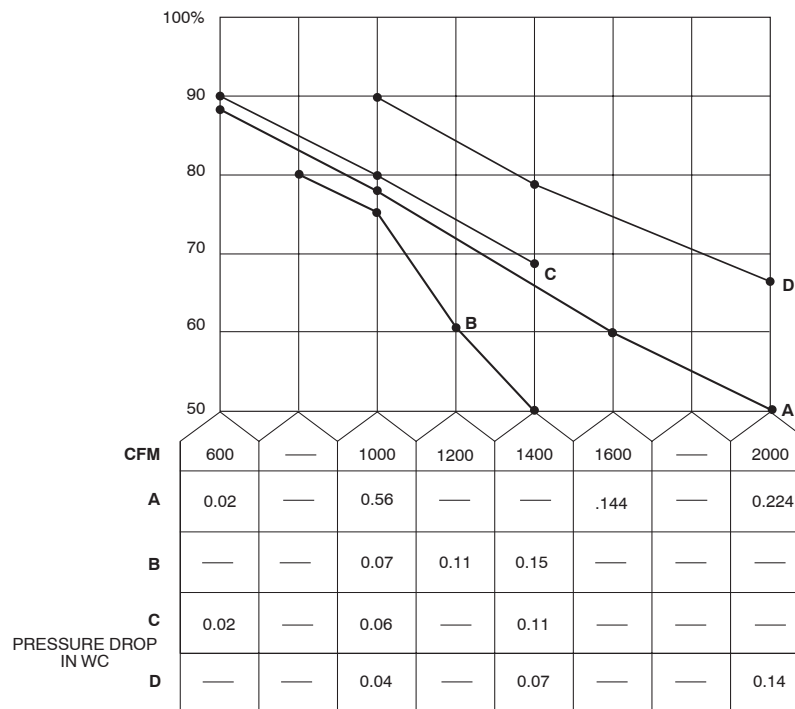
## PHYSICAL DATA

| MODEL                                   | EACB-1614                                       | EACB-2020                                       | EACB-0014                                       | EACB-0020                                       |
|---|---|---|---|---|
| Ionizer Wire Qty                        | 10/cell   | 10/cell   | 13/cell   | 13/cell   |
| Cell Weight                             | 7 lb (3 kg)/cell                                | 9 lb (4 kg)/cell                                | 10 lb (4.5 kg)/cell                             | 12 lb (5 kg)/cell                               |
| Unit Weight                             | 29 lb (13 kg)                                   | 30 lb (13.6 kg)                                 | 43.5 lb (19.7 kg)                               | 48 lb (21.7 kg)                                 |
| Cabinet Construction                    | Epoxy powdered steel; supports 400 lbs (181 kg) | Epoxy powdered steel; supports 400 lbs (181 kg) | Epoxy powdered steel; supports 400 lbs (181 kg) | Epoxy powdered steel; supports 400 lbs (181 kg) |
| Power Supply Location                   | Top of unit                                     | Top of unit                                     | Top of unit                                     | Top of unit                                     |
| Pre-filters                             | 2   | 2   | 2   | 2   |
| Airflow Sensor                          | Included  | Included  | Included  | Included  |
| Power Cord<br>6 ft (1.8 m)<br>with plug | Included  | Included<br>(120V and 240V)                     | Included  | Included  |

## ACCESSORIES

| MODEL           | EACB-1614   | EACB-2020   | EACB-0014   | EACB-0020   |
|-----------------|---|---|---|---|
| Charcoal Filter | Accommodates 3/8-in. filter (Available through RCD) | Accommodates 3/8-in. filter (Available through RCD) | Accommodates 3/8-in. filter (Available through RCD) | Accommodates 3/8-in. filter (Available through RCD) |

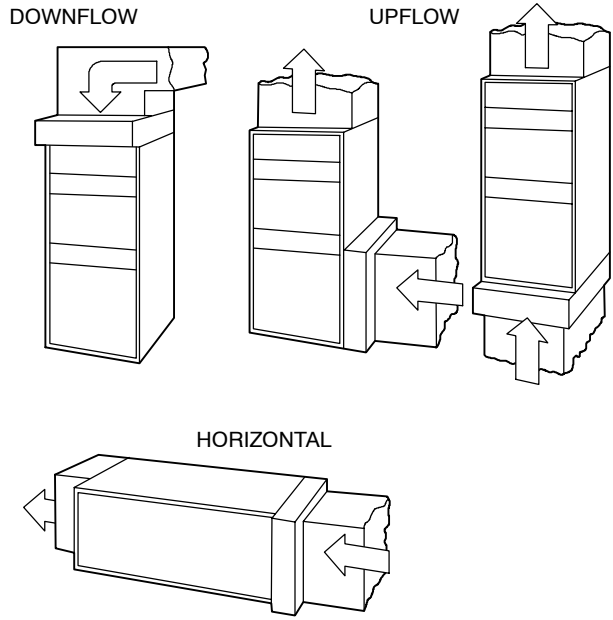
## EFFICIENCY AND PRESSURE DROP PERFORMANCE CHART



|   |           |
|---|-----------|
| A | EACB-2020 |
| B | EACB-1614 |
| C | EACB-0014 |
| D | EACB-0020 |

A06014

# TYPICAL INSTALLATIONS



## AIR CLEANER PERFORMANCE CHART

| Performance                   | STANDARD 1 IN. FILTER            |   |   |       |                             |     |  |       |
|-------------------------------|----------------------------------|---|---|-------|-----------------------------|-----|--|-------|
|                               | GOOD MECHANICAL FILTER           |   |   |       |                             |     |  |       |
|                               | FULL SIZE ELECTRONIC AIR CLEANER |   |   |       |                             |     |  |       |
|                               |                                  |   |   |       |                             |     |  |       |
| Living Airborne Organisms     | BACTERIA                         |   |   |       |                             |     |  |       |
|                               | POLLEN                           |   |   |       | VIRUSES                     |     |  |       |
|                               | PLANT SPORES                     |   |   |       |                             |     |  |       |
| Smoke                         |                                  |   |   |       | COOKING SMOKE & GREASE      |     |  |       |
|                               |                                  |   |   |       | TOBACCO SMOKE               |     |  |       |
| Minerals                      | ATMOSPHERIC & HOUSEHOLD DUST     |   |   |       |                             |     |  |       |
|                               | COAL DUST                        |   |   |       |                             |     |  |       |
|                               | LINT                             |   |   |       | ANIMAL DANDER               |     |  |       |
|                               |                                  |   |   |       | INSECTICIDE DUST            |     |  |       |
| Partical Size in Microns      | 10<br>Visible w/<br>Naked Eye    | 5 | 2 | 1     | 0.5<br>Visible w/Microscope | 0.1 | 0.01<br>Visible w/Electron<br>Microscope | 0.001 |
| Particle Number               | 0.1%                             |   |   | 19.9% |                             |     | 80%                                      |       |
| Particle Weight               | 70%                              |   |   | 29%   |                             |     | 1%                                       |       |
| Most Staining Effect          |                                  |   |   |       |                             |     |  |       |
| Most Likely Retained in Lungs |                                  |   |   |       |                             |     |  |       |
| 80% of Contamination          |                                  |   |   |       |                             |     |  |       |

A97233