

**CRBTMGAS001A00,
CRBTMGAS002A00**

**48PD05-06, 48PG03-16
THRU-THE-BOTTOM GAS SERVICE
CONNECTIONS ACCESSORY
GAS HEATING/ELECTRIC COOLING
SINGLE PACKAGE ROOFTOP**

Installation Instructions

NOTE: Read and become familiar with all instructions before beginning installation.

PACKAGE USAGE

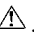
PACKAGE NO.	DESCRIPTION	APPLICATION USAGE
CRRFCURB020A00	14-in. Roof Curb	48PD05-06 48PG03-07
CRRFCURB032A00	24-in. Roof Curb	
CRRFCURB031A00	14-in. Roof Curb	48PG08-14
CRRFCURB033A00	24-in. Roof Curb	
CRRFCURB034A00	14-in. Roof Curb	48PG16
CRRFCURB035A00	24-in. Roof Curb	

SAFETY CONSIDERATIONS

Installation and servicing of air-conditioning equipment can be hazardous due to system pressure and electrical components. Only trained and qualified service personnel should install, repair, or service air-conditioning equipment.

When working on equipment, observe precautions in the literature, tags and labels attached to the unit, and other safety precautions that may apply.

Follow all safety codes. Wear safety glasses and work gloves.

Recognize safety information. This is the safety-alert symbol . When you see this symbol on the unit and in instructions or manuals, be alert to the potential for personal injury.

Understand the signal words DANGER, WARNING, and CAUTION. These words are used with the safety-alert symbol. DANGER identifies the most serious hazards which **will** result in severe personal injury or death. WARNING signifies a hazard which **could** result in personal injury or death. CAUTION is used to identify unsafe practices which **may** result in minor personal injury or product and property damage. NOTE is used to highlight suggestions which **will** result in enhanced installation, reliability, or operation.

WARNING

ELECTRICAL SHOCK, FIRE AND EXPLOSION HAZARD

Failure to follow this warning could result in personal injury, death or property damage.

Before performing service or maintenance operation on the unit, turn off main power switch to unit. Shut off gas supply before shutting off main power. Tag gas shutoff and power disconnect switch with a suitable warning label.

GENERAL

Thru-the-bottom gas service connection accessory packages reduce the number of penetrations in the roof. They provide a watertight way to connect the gas supply line within the base of the unit in the condenser section. Kit CRBTMGAS001A00 is used with 1/2-in. diameter gas piping and CRBTMGAS002A00 is used with 3/4-in. diameter gas piping.

When the thru-the-bottom gas accessory package is purchased, the gas adapter fitting allows the gas line to come up through the basepan.

INSTALLATION

Make sure the roof curb is installed and leveled in accordance with installation instructions.

The thru-the-bottom gas service connection accessory package must be used with a roof curb that has a pre-cut opening in the insulated deck pan. This opening allows the gas connections to pass through the roof curb and into the basepan of the rooftop unit. Refer to Package Usage table for roof curbs that can be used with a thru-the-bottom gas service connection accessory package.

Step 1 — Prepare Unit for Installation

The accessory thru-the-bottom gas service connection package must be installed **before** the unit is set on the roof curb. Gas and electrical connections to the unit must be field installed after the unit is installed on the roof curb.

Step 2 — Install the Unit on the Roof Curb

Follow all appropriate instructions required to install the rooftop unit on the roof curb. See installation instructions provided with the roof curb and unit for more specific information.

Step 3 — Create Holes in the Raised Surface of the Unit Basepan

Each unit is equipped with a raised (embossed) surface in the basepan. This area is located in the condenser compartment of the unit, adjacent to the gas section. (See Fig. 1.) The embossment of the basepan contains a dimple for locating the cutout. Holes can be field cut in the embossed surface so that the gas connection can be routed through the roof curb basepan.

Use a chassis punch or hole saw to create holes in the embossed surface of the basepan per Table 1.

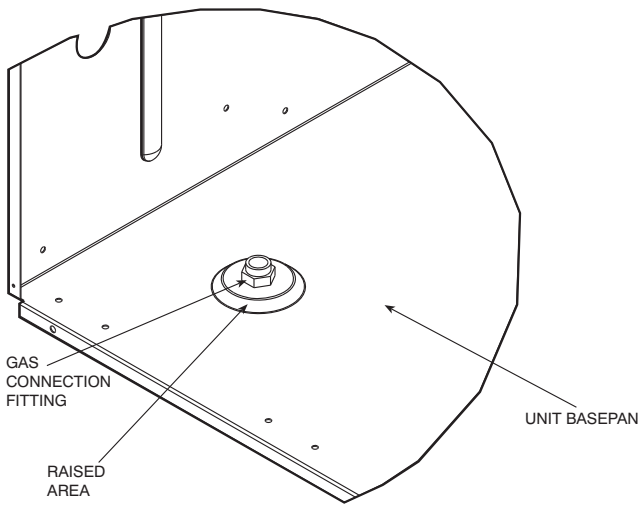


Fig. 1 - Gas Fitting Installed in Basepan

C09147

Table 1 – Bottom Connection Chart

PART NO.	UNIT SIZE	CONN. SIZE	USE	REQ'D HOLE SIZES (Max.)
CRBTMGAS001A00	48PD05-06 48PG03-07	1/2"	Gas	1 1/8"
CRBTMGAS002A00	48PG08-16	3/4"	Gas	1 3/4"

Step 4 — Making Gas Connections

The thru-the-bottom gas connection fitting has male and female threads.

The gas fitting also contains two neoprene washers and two locking washers. One neoprene and one locking washer are installed below the unit basepan with the second set being installed on the top side of the basepan before the fitting is tightened. Tighten all fittings. The male threads protrude above the basepan of the unit, while the female threads protrude below the basepan. (See Fig. 1.)

Install appropriate street elbow on the through the pan gas fitting (1/2 in. or 3/4 in. depending on kit).

Step 5 — Install Gas Piping

Unit is equipped for use with type of gas shown on nameplate. Refer to local building codes, or in the absence of local codes, to ANSI (American National Standards Institute) Z223.1 latest year and Addendum Z223.1A latest year entitled NFGC (National Fuel Gas Code). In Canada, installation must be in accordance with the CAN1.B149.1 and CAN1.B149.2 installation codes for gas appliances. For natural gas applications, gas pressure at unit gas connection must not be less than 5.0 in. wg or greater than 13.0-in. wg while unit is operating. For liquid propane and high heat applications, the gas pressure must not be less than 5.0-in. wg or greater than 13.0-in. wg at the unit connection. Size gas supply piping for 0.5-in. wg maximum pressure drop. Do not use supply pipe smaller than unit gas connection.

Pipe the gas line to the gas valve connection. Be sure to include a union, drip leg, and manual shut off.

Support gas piping. See Fig. 2 for typical pipe guide and locations of external, manual gas shutoff valve. Once installed, leak check all gas fittings.

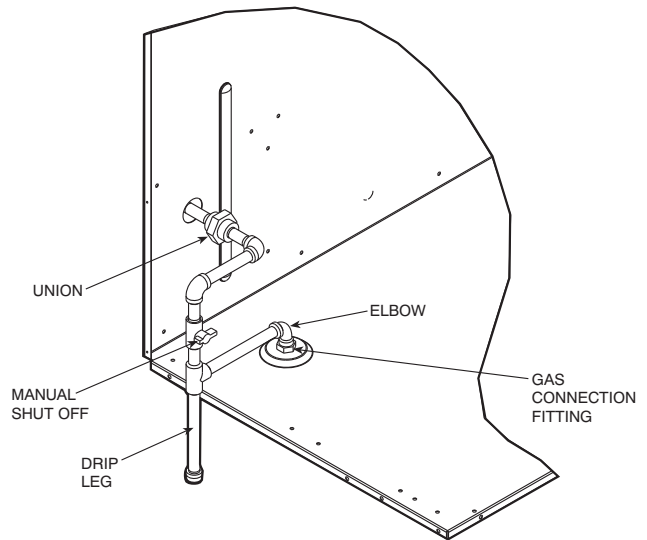


Fig. 2 - Gas Piping Installed

C09148