

# Installation Instructions

## PACKAGE CONTENTS AND USAGE


ACCESSORY PART NO.	USAGE	CONTENTS (QTY)
CRFLUEDS005A00	48PD, 48PG03 – 14	Flue Stack (1) Mounting Brackets (2) Self-Tapping Screws (3)
CRFLUEDS005A00	48PG16	Flue Stack (1) Mounting Brackets (2) Self-Tapping Screws (3)

## SAFETY CONSIDERATIONS

Installation and servicing of equipment can be hazardous due to system pressure and electrical components. Only trained and qualified service personnel should install, repair, or service equipment.

When working on equipment, observe precautions in the literature, tags and labels attached to the unit, and other safety precautions that may apply.

Follow all safety codes. Wear safety glasses and work gloves.

Recognize safety information. This is the safety-alert symbol . When you see this symbol on the unit and in instructions or manuals, be alert to the potential for personal injury.

Understand the signal words DANGER, WARNING, and CAUTION. These words are used with the safety-alert symbol. DANGER identifies the most serious hazards which **will** result in severe personal injury or death. WARNING signifies a hazard which **could** result in personal injury or death. CAUTION is used to identify unsafe practices which **may** result in minor personal injury or product and property damage. NOTE is used to highlight suggestions which **will** result in enhanced installation, reliability, or operation.

## WARNING

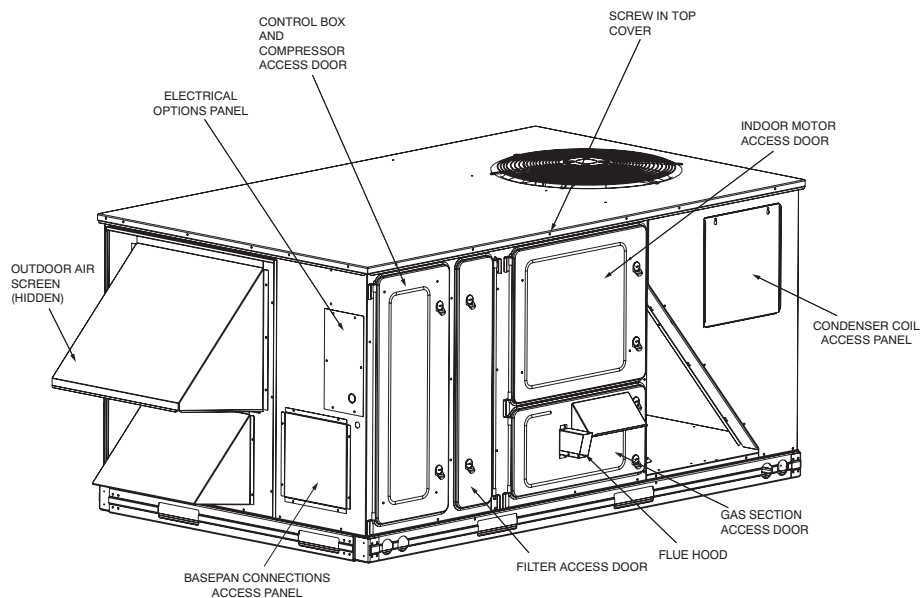
### ELECTRICAL SHOCK HAZARD

Failure to follow this warning could result in personal injury and/or death.

Before beginning any modification, close main gas supply shutoff valve. Be certain that the main line electrical disconnect switch is in the OFF position and the lockout tag is installed. Tag disconnect switch and gas valve with suitable warning labels.

## GENERAL

The accessory flue discharge deflector directs unit flue exhaust vertically instead of horizontally. This allows for a smaller unit clearance due to flue exhaust.



**Fig. 1 - Panel and Filter Locations (48PG03-07 Shown)**

## INSTALLATION

1. Close the manual shutoff valve on the gas supply piping.
2. Shut off power to unit and install lockout tag.
3. Remove existing flue hood from unit. Save screws. (See Fig. 1.)
4. Remove screw securing top cover to unit. Screw is located directly above flue discharge. (See Fig. 1.) Save screw.
5. Attach mounting brackets to flue stack with screws pre-installed on flue stack. (See Fig. 2.)  
For 48PD and 48PG03-07 units, the bracket mounting holes are approximately 33.5-in. from the bottom of the flue stack.  
For 48PG08-16 units, the bracket mounting holes are approximately 41-in. from the bottom of the flue stack.
6. Mount the horizontal leg of the flue discharge deflector to the unit as shown in Fig. 3. Use screws saved from Step 3 and 2 self-tapping screws provided.
7. Align bracket A with the hole in the top cover where the screw was removed in Step 4. Secure bracket A to unit using screw saved from Step 4.
8. Use self-tapping screw and install screw through hole in mounting bracket B and into the top cover flange.
9. Return power to unit and remove lockout tag.
10. Open the manual shutoff valve on the gas supply piping.

## SERVICE

Remove and clean the screen periodically to ensure proper airflow and heating efficiency. Inspect full length of flue stack for any blockages which could impair flue performance. Inspect every fall, and periodically during heating season.

Flue discharge assembly must be completely removed to access the burner compartment or blower compartment. Ensure that the flue discharge is aligned with the hole in the burner access panel after servicing.

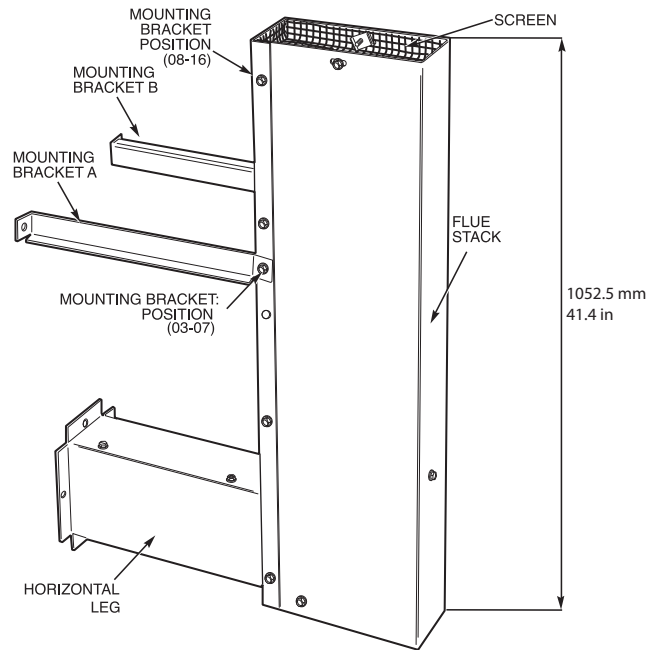


Fig. 2 - Flue Discharge Deflector Assembly

C09071

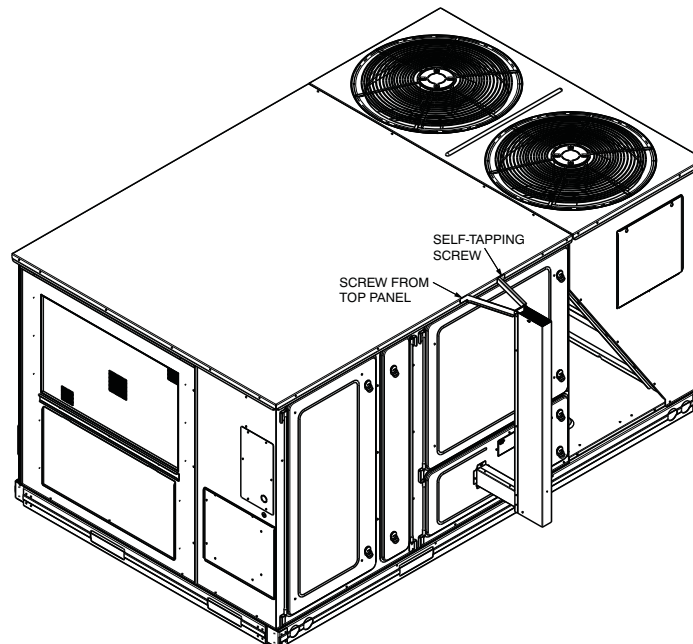


Fig. 3 - Flue Discharge Deflector Installed on Unit (48PG08-14 Shown)

C09072