

CRHAILGD010C00
CRHAILGD011C00
CRHAILGD022A00
CRHAILGD023A00

HAIL/COIL GUARD ACCESSORY
MEDIUM ROOFTOP UNITS
12–1/2 to 25 TONS

Installation Instructions

IMPORTANT: Read these instructions completely BEFORE attempting to install the hail/coil guard accessory.

PACKAGE CONTENTS AND USAGE

CRHAILGD010C00

USE WITH UNITS	PART NUMBER	QTY	DESCRIPTION
48/50HG014-024	50TG501440	1	Hail/Coil Guard Assembly
48/50HJ020-024			
551A/581A210-240	AL48AM307	3	Screws

CRHAILGD011C00

USE WITH UNITS	PART NUMBER	QTY	DESCRIPTION
48/50HG028	50TG501441	1	Hail/Coil Guard Assembly
48/50HJ028			
48/50PG20-28	AL48AM307	3	Screws
551A/581A-300			

CRHAILGD022A00

USE WITH UNITS	PART NUMBER	QTY	DESCRIPTION
48/50PM16–24	50TG506358	1	Hail/Coil Guard Assembly
	AL48AM307	3	Screws

CRHAILGD023A00


USE WITH UNITS	PART NUMBER	QTY	DESCRIPTION
48/50PM28	50TG506359	1	Hail/Coil Guard Assembly
	AL48AM307	3	Screws

SAFETY CONSIDERATIONS

Installation and servicing of air-conditioning equipment can be hazardous due to system pressure and electrical components. Only trained and qualified service personnel should install, repair, or service air-conditioning equipment.

When working on equipment, observe precautions in the literature, tags and labels attached to the unit, and other safety precautions that may apply.

Follow all safety codes. Wear safety glasses and work gloves.

Recognize safety information. This is the safety-alert symbol . When you see this symbol on the unit and in instructions or manuals, be alert to the potential for personal injury.

Understand the signal words DANGER, WARNING, and CAUTION. These words are used with the safety-alert symbol. DANGER identifies the most serious hazards which **will** result in severe personal injury or death. WARNING signifies a hazard which **could** result in personal injury or death. CAUTION is used to identify unsafe practices which **may** result in minor personal injury or product and property damage. NOTE is used to highlight suggestions which **will** result in enhanced installation, reliability, or operation.

INSTALLATION

CAUTION

EQUIPMENT DAMAGE HAZARD

Failure to follow this caution may result in damage to equipment.

Install the hail/coil guard after the unit has been installed.

- Carefully remove the hail/coil guard from packaging.
- Remove the screws that hold the condenser in place. (See Fig. 1.)
- Lift the coil guard into place over the condenser coil.

NOTE: The notches should be located on the top of the hail/coil guard. (See Fig. 1.)

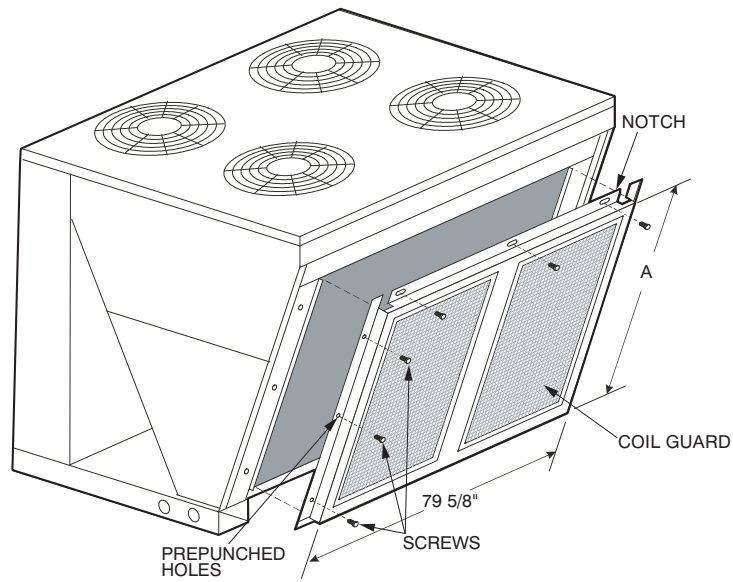
CAUTION

EQUIPMENT DAMAGE HAZARD

Failure to follow this caution may result in damage to equipment.

Re-install the same screws removed in Step 2. Use of longer screws may cause damage to the coil.

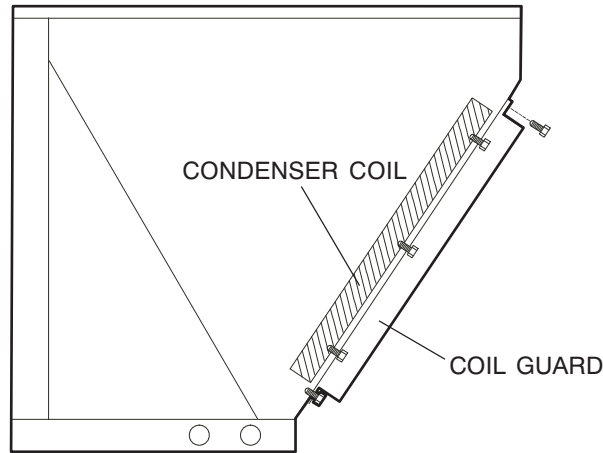
- Reinstall the screws through the pre-punched holes in the hail/coil guard. (See Fig. 2.)
- The screw holes for the top of the hail/coil guard must be drilled out 0.199 inch. Fasten the top flange of the hail/coil guard to the unit with the three screws provided.



UNIT	ACCESSORY PART NUMBER	DIMENSIONS (in.)
		"A"
48/50HG014-024	CRHAILGD010C00	52 ^{3/8}
48/50HG028	CRHAILGD011C00	60 ^{3/8}
48/50HJ020-024	CRHAILGD010C00	52 ^{3/8}
48/50HJ028	CRHAILGD011C00	60 ^{3/8}
48/50PG20-28	CRHAILGD011C00	60 ^{3/8}
48/50PM16-24	CRHAILGD022A00	52 ^{3/8}
48/50PM28	CRHAILGD023A00	60 ^{3/8}
551A/581A210-240	CRHAILGD010C00	52 ^{3/8}
551A/581A300	CRHAILGD011C00	60 ^{3/8}

C09137

Fig. 1 - Installation of Hail/Coil Guard on Unit



SIDE VIEW

Fig. 2 - Side View of Unit

C09138