

**CRLVHLGD001A00
to 022A00**

**SMALL ROOFTOP UNITS
ACCESSORY LOUVERED HAIL GUARD
GAS HEATING/ELECTRIC COOLING,
ELECTRIC COOLING AND HEAT PUMP UNITS
2 to 12-1/2 TONS**

Installation Instructions

IMPORTANT: Read these instructions completely before attempting to install the accessory louvered hail guard.

PACKAGE CONTENTS

QTY	CONTENTS
1	Outside coil side panel
1	Outside coil end panel
Varies based on kit	Screws

PACKAGE USAGE


Rooftop Unit Model	Hailguard	
HE003-005 HJ004-006 HEQ003-005 HJQ004, 005 TM007 TFQ005, 007	581/551C 024-048 581/551B 036-060 549C 024-048 549B 036,048 580/558F 073 548F 060, 072	CRLVHLGD001A00
HE006 HJ007 HEQ006 HJQ006, 007	581/551C 060 581/551B 072 549C 072 549B 060, 072	CRLVHLGD002A00
HJ008 HJQ008 TF008 TFQ008 TM008,009	581/551B 090 549B 090 580/558F 090, 091, 103 548F 090	CRLVHLGD003A00
HJ009-014 HJQ009, 012 TM012-014 TF014	581/551B 102-150 549B 102, 120 580/558F 121,151 580/558F 150	CRLVHLGD004A00
TF009 TFQ009	580/558F 102 548F 102	CRLVHLGD005A00
TF012	580/558F 120	CRLVHLGD006A00
TFQ012	548F 120	CRLVHLGD007A00
TM004, 005 TF004, 005	580/558F 036, 048	CRLVHLGD008A00
TM006 TF006, 007	580/558F 073 580F/558F 060,072	CRLVHLGD009A00
TFQ004, 006	548F*036,060(A,B,C)	CRLVHLGD010A00
48/50TC*A04	580J*04(A,B,C)/ 558J*04(A,B,C)	CRLVHLGD011A00
48/50TC*A05-06	580J*05-06(A,B,C)/ 558J*05-06A	CRLVHLGD012A00
48/50TC*A07	580J*07(A,C)/558J*07A	CRLVHLGD013A00
48/50TC*A08	580J*08(A,C)/558J*08A	CRLVHLGD014A00
48/50TC*A09	580J*09(A,C)/558J*09A	CRLVHLGD015A00
48/50TC*A12	580J*12(A,C)/558J*12A	CRLVHLGD016A00
48/50TC*D08	580J*08(D,F)/558J*08D	CRLVHLGD020A00
48/50TC*D12	580J*12(D,F)/558J*12D	CRLVHLGD021A00
48/50TC*D14	580J*14(D,F)/558J*14D	CRLVHLGD022A00

SAFETY CONSIDERATIONS

Installation and servicing of air-conditioning equipment can be hazardous due to system pressure and electrical components. Only trained and qualified service personnel should install, repair, or service air-conditioning equipment.

Untrained personnel can perform basic maintenance functions of cleaning coils and filters and replacing filters. All other operations should be performed by trained service personnel. When working on air-conditioning equipment, observe precautions in the literature, tags and labels attached to the unit, and other safety precautions that may apply.

Follow all safety codes. Wear safety glasses and work gloves.

Recognize safety information. This is the safety-alert symbol . When you see this symbol on the unit and in instructions or manuals, be alert to the potential for personal injury.

Understand the signal words DANGER, WARNING, and CAUTION. These words are used with the safety-alert symbol. DANGER identifies the most serious hazards which **will** result in severe personal injury or death. WARNING signifies a hazard which **could** result in personal injury or death. CAUTION is used to identify unsafe practices which **may** result in minor personal injury or product and property damage. NOTE is used to highlight suggestions which **will** result in enhanced installation, reliability, or operation.

WARNING

ELECTRICAL OPERATION HAZARD

Failure to follow this warning could result in personal injury or death.

Before performing service and maintenance operations on unit, turn off main power switch to unit. If gas unit, shut off gas supply before shutting off main power.

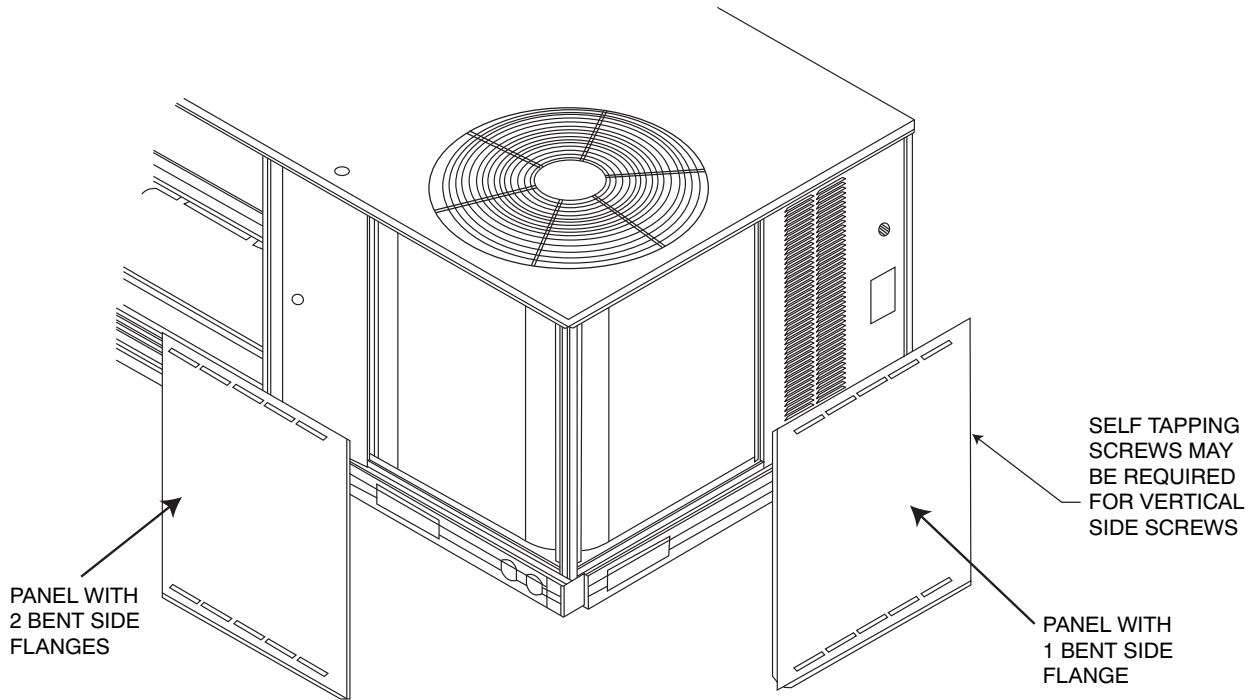
TAG DISCONNECT SWITCH WITH A SUITABLE LOCK AND WARNING LABEL.

GENERAL

Louvered hail guard packages are designed to protect the rooftop unit condenser coil from hail and general contact damage. Excessive damage to rooftop unit outdoor coils can result in diminished performance due to reduced air flow over the heat transfer surfaces.

INSTALLATION

1. Verify the correct hail guard part number is provided for the desired rooftop unit size. See Package Usage section above.
2. Remove the screws in the top panel of the rooftop unit above the condenser coil. Save the screws.
3. Remove the screws at the base of the outdoor coil where the hailguard panel will be installed. Save the screws.
4. Align the hailguard panel with the respective section of the outdoor coil and insert the top edge of the panel under the lip of the top panel. (See Fig. 1.)
5. Re-insert top and bottom screws from Step 3 and 4 to hold the hailguard in place.
6. Insert side screws from the kit through the holes in the side(s) of the hailguard panels. The provided self tapping screws may be required for these screws.



NOTE: CRLVHLGD010A00 only requires one louvered panel.

**Fig. 1 - Typical Louvered Hailguard Installation
(2-5 Ton Unit Shown)**

C08491