

Installation Instructions

SAFETY CONSIDERATIONS

Installation and servicing of air-conditioning equipment can be hazardous due to system pressure and electrical components. Only trained and qualified service personnel should install, repair, or service air-conditioning equipment.

Untrained personnel can perform basic maintenance functions of cleaning coils and filters and replacing filters. All other operations should be performed by trained service personnel. When working on air-conditioning equipment, observe precautions in the literature, tags and labels attached to the unit, and other safety precautions that may apply.

Follow all safety codes. Wear safety glasses and work gloves. Use quenching cloth for unbrazing operations. Have fire extinguishers available for all brazing operations.

PACKAGE USAGE AND CONTENTS

UNIT SIZE	DAMPER PACKAGE PART NO.	PACKAGE CONTENTS
2 to 6 Tons	CRMANDPR001A03	1 – Hood top 2 – Hood sides 1 – Outdoor–air inlet screen 1 – Damper panel with outdoor–air damper blade attached 18–5/8 in. no. 10 screws 1 – Outdoor–Air Opening Panel 1 – Gasket
7–1/2 to 12–1/2 Tons	CRMANDPR002A03	1 – Hood top 2 – Hood sides 1 – Outdoor–air inlet screen 1 – Damper panel with outdoor–air damper blade attached 18–5/8 in. no. 10 screws 1 – Outdoor–Air Opening Panel 1 – Gasket

GENERAL

IMPORTANT: Read these instructions completely before attempting to install the accessory manual outdoor air damper. These instructions are applicable to both vertical and horizontal applications.

INSTALLATION

Turn off unit power and lock out. Electrical shock and personal injury could result.

1. Remove filter access panel by raising panel and swinging panel outward. Panel is now disengaged from track and can be removed. No tools are required to remove filter access panel. Remove evaporator access panel. Save screws and discard panel. (See Fig.1.)
2. Remove hood sides and top, (Fig.2), screen, and damper panel with damper blade attached from accessory package.
3. Attach the (2) hood sides to the hood top with screws provided.

NOTE: Hood side flanges turn inward. Attach provided gasketing to the back side of hood mating flanges. Do not attach hood assembly to unit at this time.

4. Attach damper panel with outdoor–air damper blade to outdoor–air opening panel provided as shown in Fig. 3. Do not insert side screws at this time. Secure panel using 4 screws provided on the bottom. (See Fig. 3.)
5. Adjust minimum position setting of the outdoor damper blade by adjusting screws on the front of the blade. (See Fig. 3.) Slide blade vertically until blade is in the position determined by Fig. 4 or 5. Tighten screws.
6. Attach assembled hood with seal strips to the damper panel. (See Fig. 6.) Use screws provided.
7. Install outdoor–air opening panel with screws saved in Step 1.
8. Replace filter access panel.

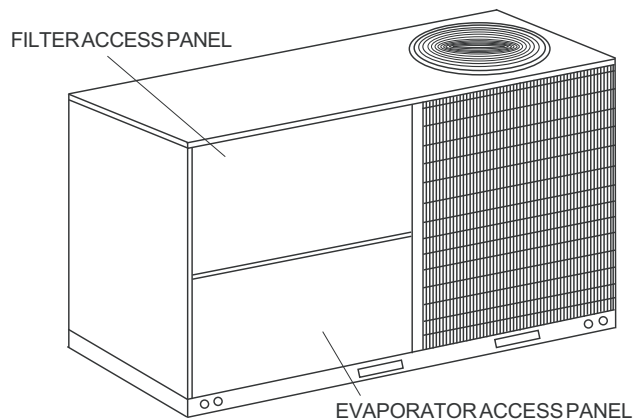
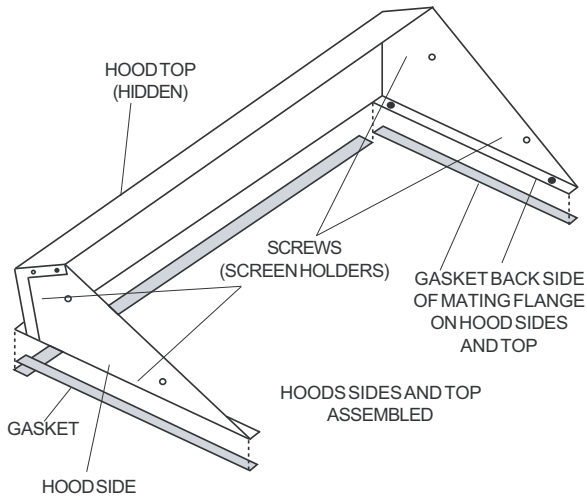
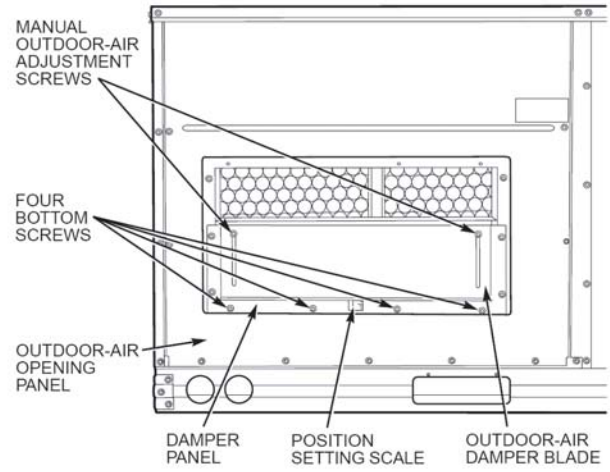


Fig. 1 - Typical Access Panel Locations



C07321



C07322

Fig. 2 - Outdoor-Air Hood Details

Fig. 3 - Damper Panel Installed

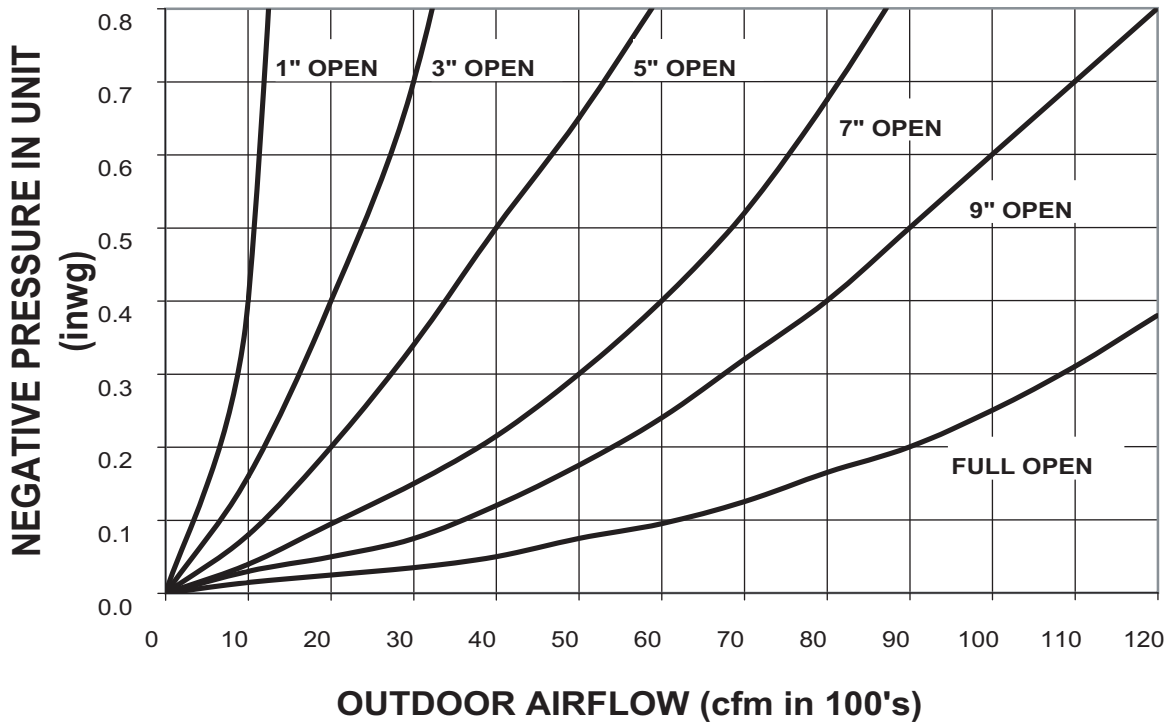


Fig. 4 - Outdoor-Air Intake Position Setting (2 - 6 Ton Units)

C07324

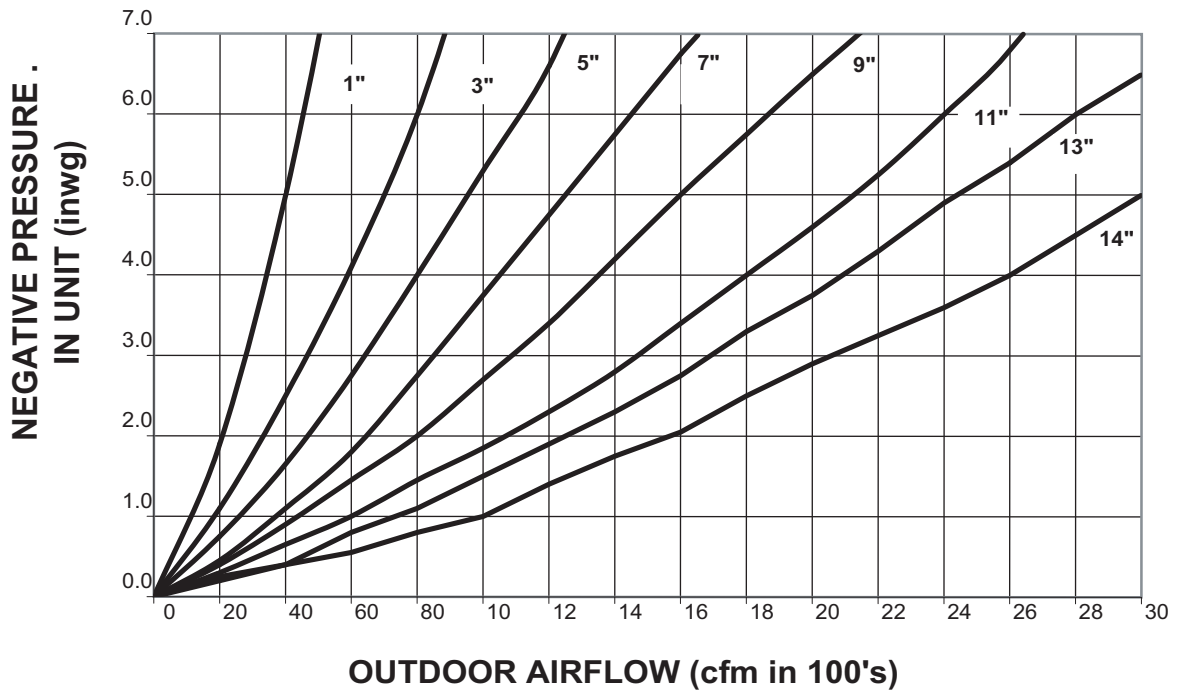


Fig. 5 - Outdoor-Air Intake Position Setting
(7-1/2 - 12-1/2 Ton Units)

C07323

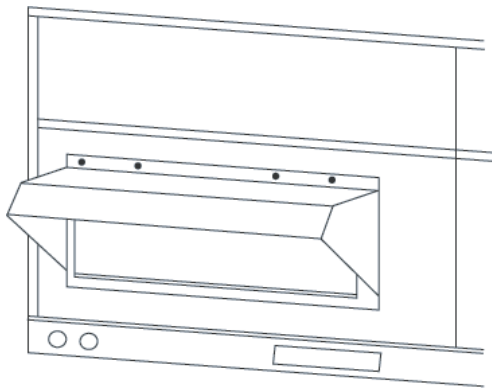


Fig. 6 - Manual Outdoor-Air Damper Hood Attached

C07325

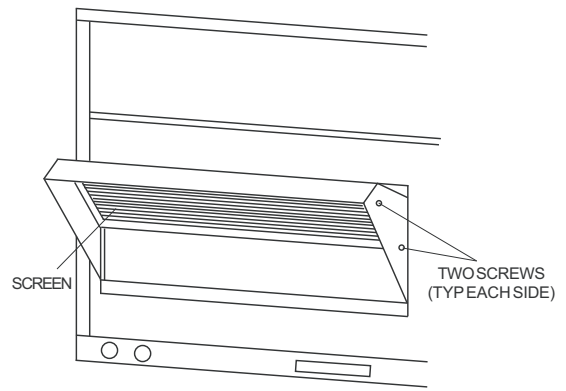


Fig. 7 - Screen Installed

C07326

