

**CRMANDPR001A02**  
**CRMANDPR002A02**  
**CRMANDPR001A03**  
**CRMANDPR002A03**

**SMALL ROOFTOP UNITS**  
**GAS HEATING/ELECTRIC COOLING**  
**AND HEAT PUMP UNITS**  
**2 TO 12 1/2 TONS (50/60HZ)**  
**ACCESSORY MANUAL OUTDOOR AIR OPENING PANEL**

# Installation Instructions


**IMPORTANT:** Read these instructions completely before attempting to install the accessory manual outdoor damper.

## SAFETY CONSIDERATIONS

Installation and servicing of air-conditioning equipment can be hazardous due to system pressure and electrical components. Only trained and qualified service personnel should install, repair, or service air-conditioning equipment.

Untrained personnel can perform the basic maintenance functions. All other operations should be performed by trained service personnel. When working on air-conditioning equipment, observe precautions in the literature, tags and labels attached to the unit, and other safety precautions that may apply.

Follow all safety codes. Wear safety glasses and work gloves.

Recognize safety information. This is the safety-alert symbol . When you see this symbol on the unit and in instructions or manuals, be alert to the potential for personal injury.

Understand the signal words DANGER, WARNING, and CAUTION. These words are used with the safety-alert symbol. DANGER identifies the most serious hazards which **will** result in severe personal injury or death. WARNING signifies a hazard which **could** result in personal injury or death. CAUTION is used to identify unsafe practices which **may** result in minor personal injury or product and property damage. NOTE is used to highlight suggestions which **will** result in enhanced installation, reliability, or operation.

## WARNING

### ELECTRICAL SHOCK HAZARD

Failure to follow this warning could cause personal injury and/or death.

Before beginning any modification, be certain that the main-line electrical disconnect switch is in the OFF position. Close the main gas supply shutoff valve. Tag disconnect switch and gas valve with suitable warning labels.

## CAUTION

### CUT HAZARD

Failure to follow this caution may result in personal injury. Sheet metal parts may have sharp edges or burrs. Use care and wear appropriate protective clothing, safety glasses and gloves when handling parts and servicing furnaces.

## GENERAL

**IMPORTANT:** Read these instructions completely before attempting to install the accessory manual outdoor air damper. These instructions are applicable to both vertical and horizontal applications.

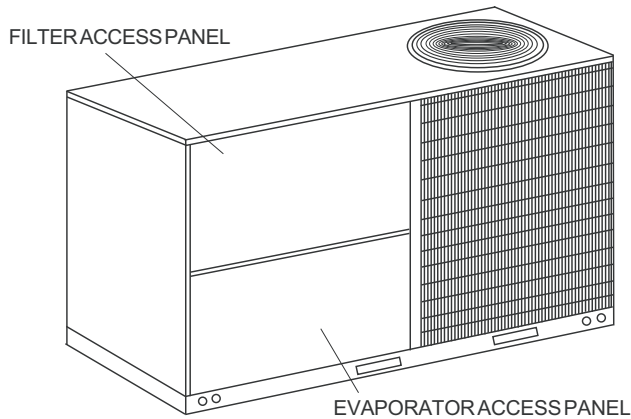
## PACKAGE USAGE AND CONTENTS

UNIT SIZE	DAMPER PACKAGE PART NO.	PACKAGE CONTENTS
2 to 6 Ton R-410A and R-22 Units	CRMANDPR001A02 CRMANDPR001A03	1 – Hood top 2 – Hood sides 1 – Outdoor – air inlet screen 1 – Damper panel with outdoor – air damper blade attached with No. 10 x 5/8 in. screws (18 places) 1 – Outdoor – Air Opening Panel 1 – Gaskets
7 1/2 to 12 1/2 Ton R-410A and R-22 Units	CRMANDPR002A02 CRMANDPR002A03	1 – Hood top 2 – Hood side 1 – Outdoor – air inlet screen 1 – Damper panel with outdoor – air damper blade attached with No. 10 x 5/8 in. screws (18 places) 1 – Outdoor – Air Opening Panel 1 – Gasket

## INSTALLATION

Turn off unit power and lock out. Electrical shock and personal injury could result.

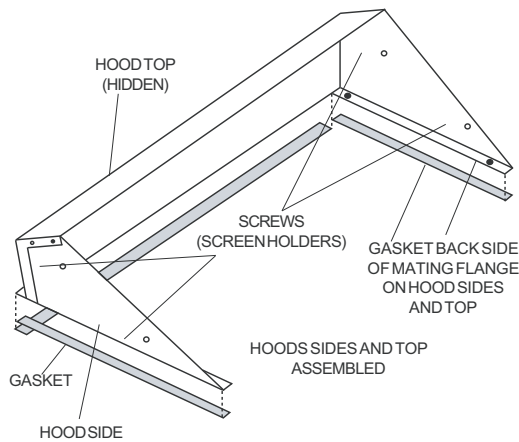
1. Remove filter access panel by raising panel and swinging panel outward. Panel is now disengaged from track and can be removed. No tools are required to remove filter access panel. Remove evaporator access panel. Save screws and discard panel. (See Fig.1.)



C07320

**Fig. 1 - Typical Access Panel Locations**

2. Remove hood sides and top, (Fig.2), screen, and damper panel with damper blade attached from accessory package.



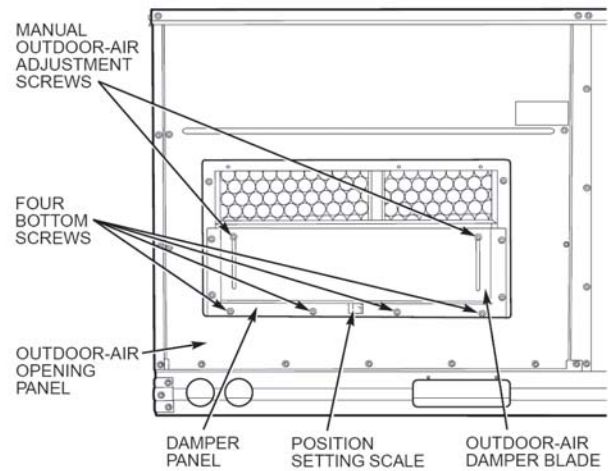
C07321

**Fig. 2 - Outdoor-Air Hood Details**

3. Attach the two (2) hood sides to the hood top with the screws provided.

**NOTE:** Hood side flanges turn inward. Attach provided gasketing to the back side of hood mating flanges. Do not attach hood assembly to unit at this time.

4. Attach damper panel with outdoor-air damper blade to outdoor-air opening panel provided as shown in Fig. 3. Do not insert side screws at this time. Secure panel using 4 screws provided on the bottom. (See Fig. 3.)



C07322

**Fig. 3 - Damper Panel Installed**

5. Adjust minimum position setting of the outdoor damper blade by adjusting screws on the front of the blade. (See Fig. 3.) Slide blade vertically until blade is in the position determined by Fig. 4 or 5. Tighten screws.
6. Attach assembled hood with seal strips to the damper panel. (See Fig. 6.) Use screws provided.
7. Install outdoor-air opening panel with screws saved in Step 1.
8. Replace filter access panel.

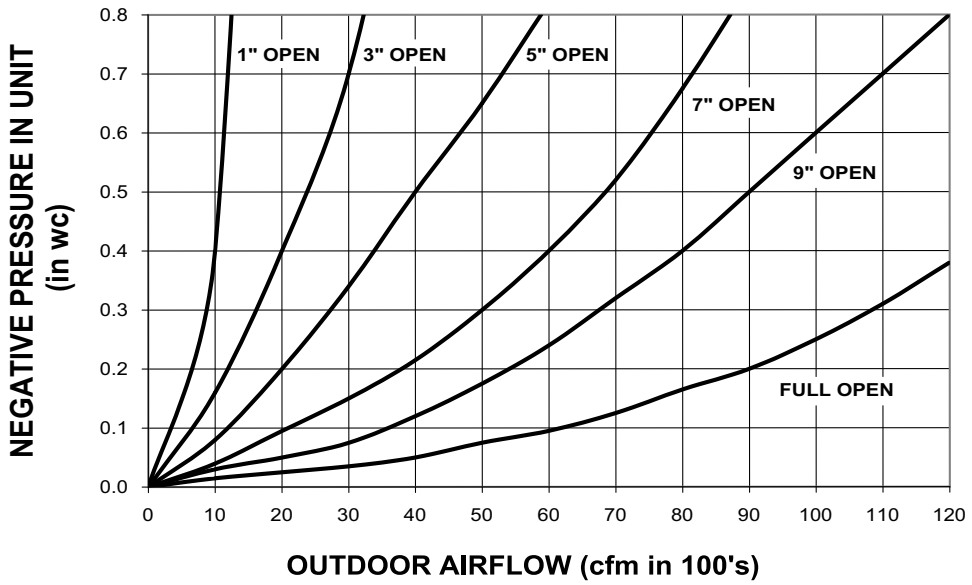


Fig. 4 - Outdoor-Air Intake Position Setting (2 - 6 Ton R-410A and R-22 Units)

C07324

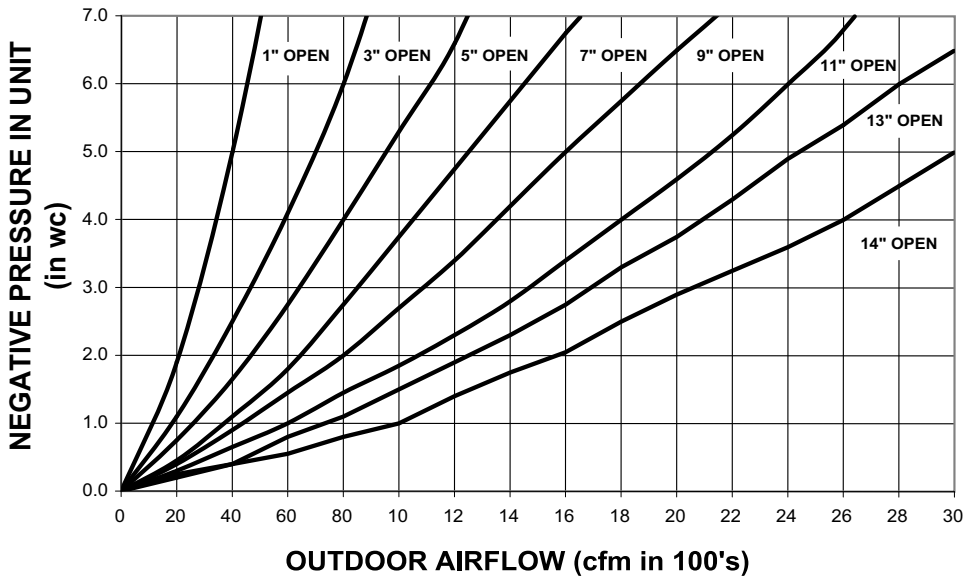


Fig. 5 - Outdoor-Air Intake Position Setting (7 1/2 - 12 1/2 Ton R-410A and R-22 Units)

C07323

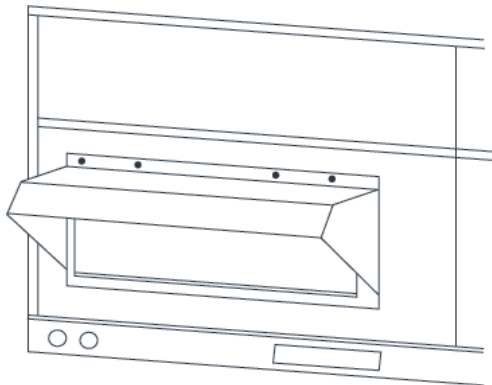


Fig. 6 - Manual Outdoor-Air Damper Hood Attached

C07325

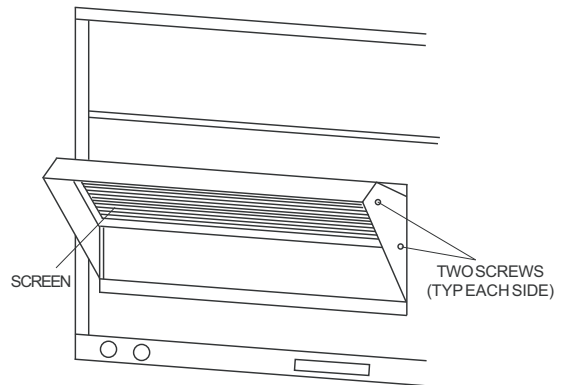


Fig. 7 - Screen Installed

C07326

