

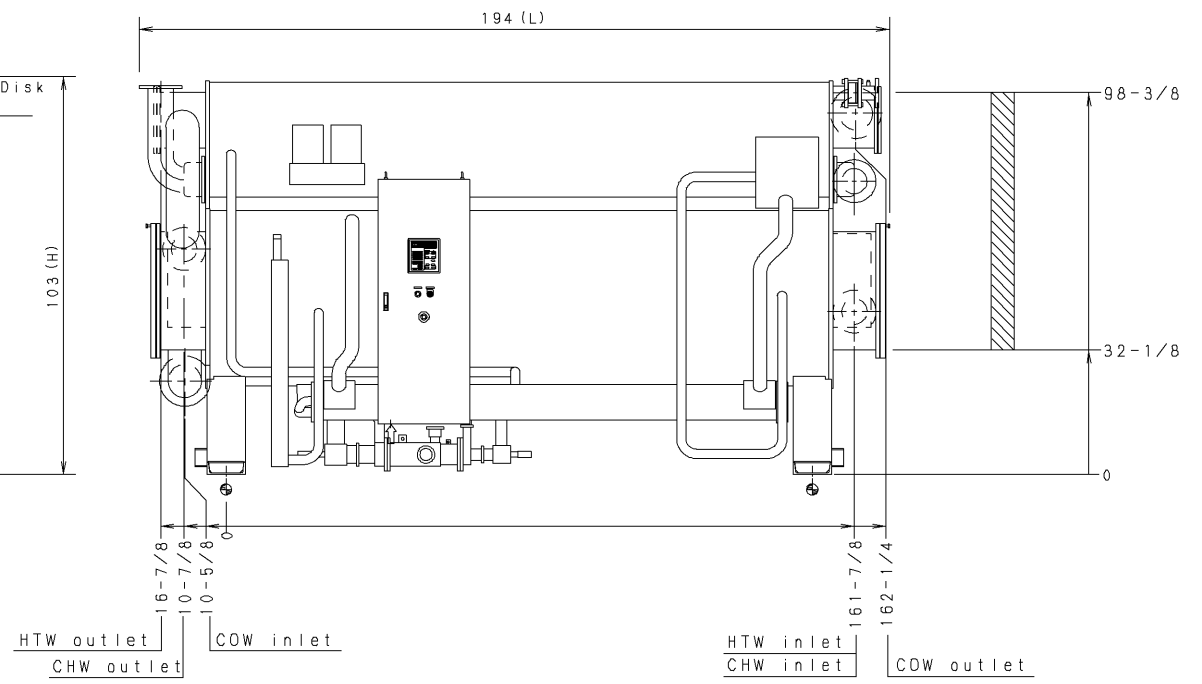
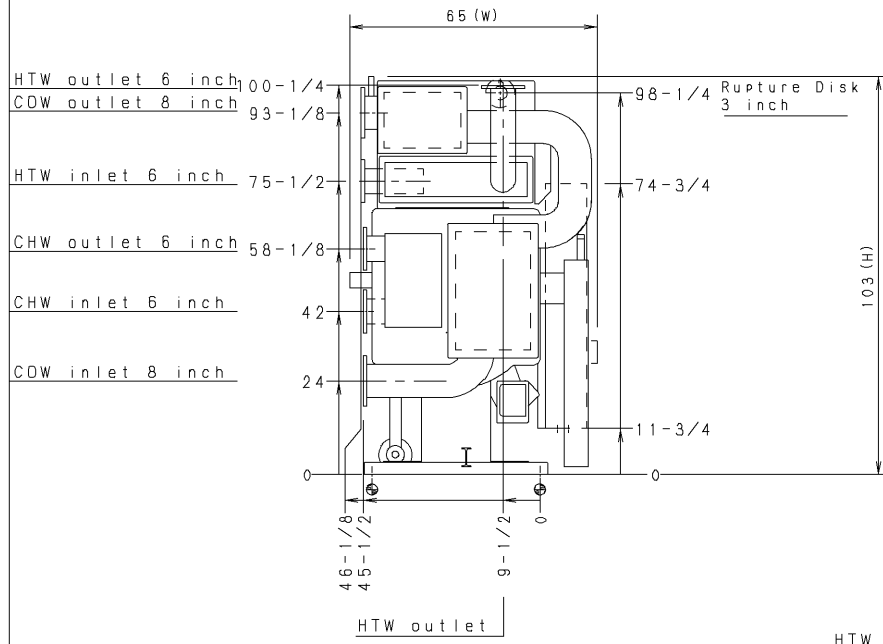
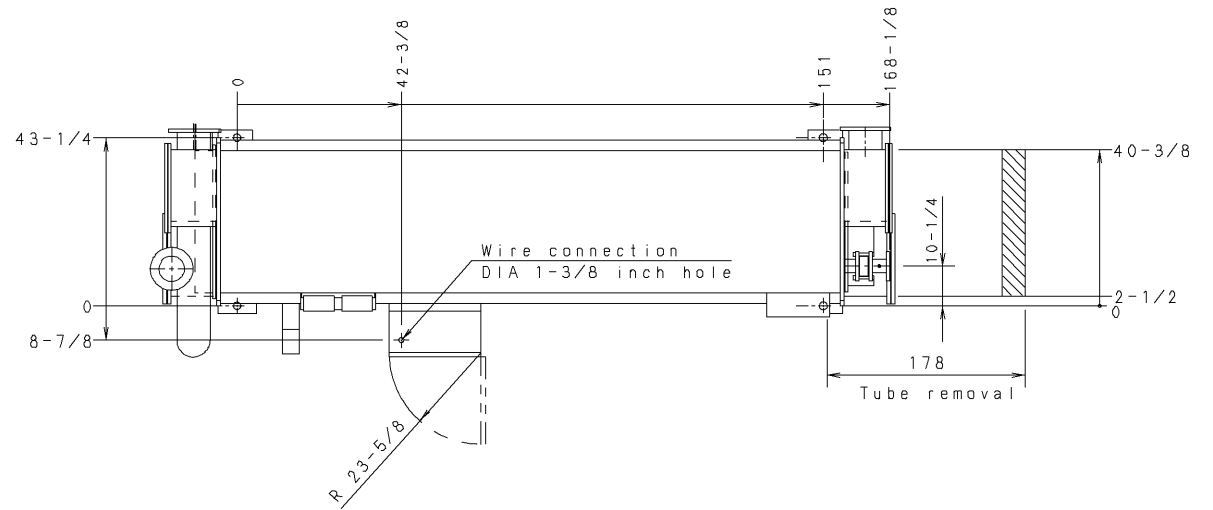


NOTE

- (1) DIMENSIONS (L), (W), (H), ARE FOR STANDARD MACHINE. THE DIMENSIONS ARE CHANGED BY PARTS ADDED.
- (2)  INDICATES THE POSITION OF ANCHOR BOLTS.
- (3) CLEARANCE SPACE MUST BE SAVED EITHER SIDE OF THE CHILLER
- (4) ALL EXTERNAL WATER PIPING ARE TO BE PROVIDED WITH WELDED ANSI 150LB FLANGES BY THE CUSTOMER.
- (5)  INDICATES THE POSITION OF THE POWER SUPPLY CONNECTION ON CONTROL PANEL. (DIA. 1-3/8 INCH)
- (6) INSTALLATION CLEARANCE
 - LONGITUDINAL DISTANCE:40 INCH
 - TOP :8 INCH
 - OTHERS:20 INCH



E3 A2 C1 G3

Carrier
SANYO

DIMENSIONS

TSA-16LJ-32

LJ-006-510-00-5