

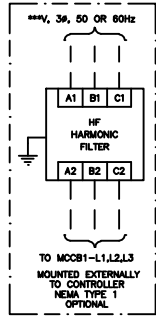
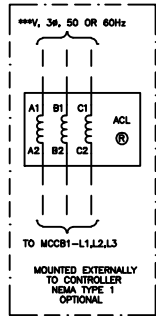
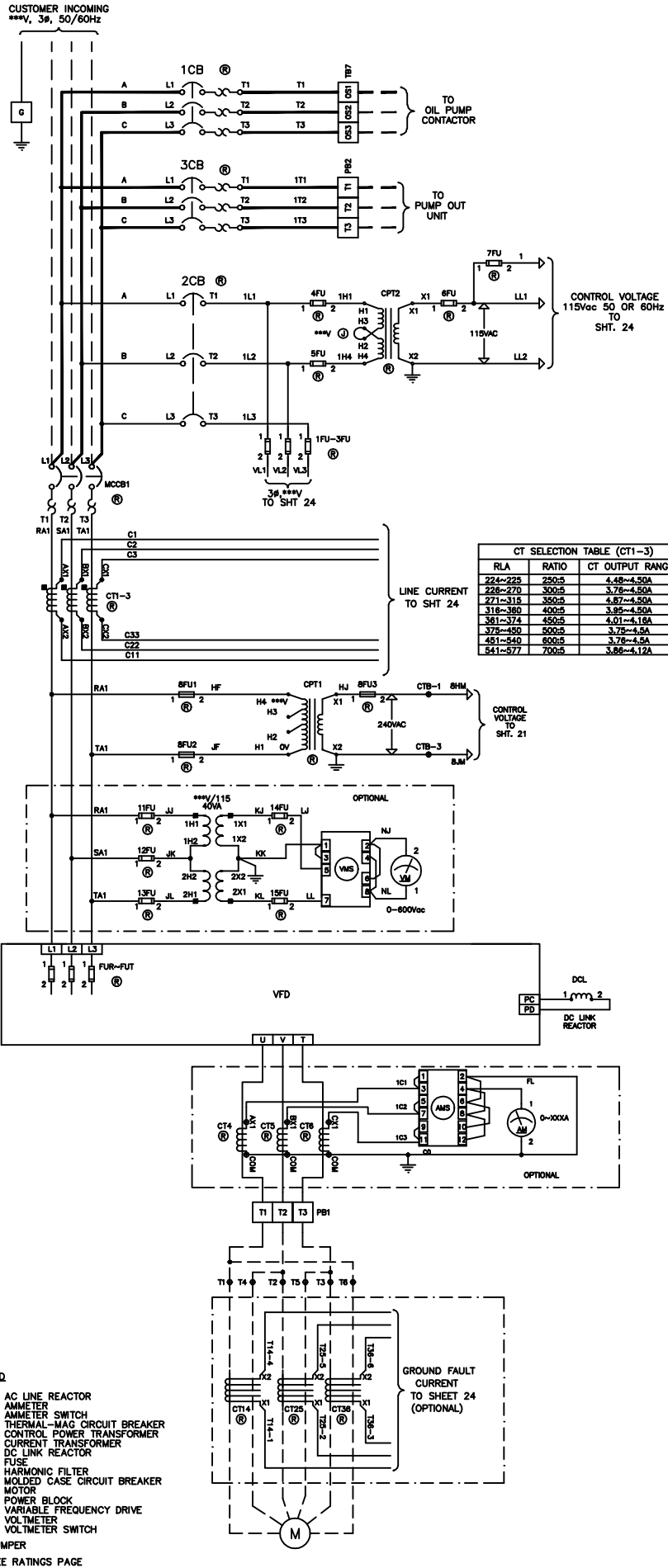
4					
3					
2					
1					
0					
REV	DATE	DESCRIPTION	BY	CHK	APPR

TOSHIBA
TOSHIBA INTERNATIONAL CORPORATION
 MADE IN HOUSTON, TEXAS U.S.A.
 THIS MATERIAL IS THE EXCLUSIVE PROPERTY OF TOSHIBA INTERNATIONAL CORPORATION AND SHALL NOT BE REPRODUCED, USED, OR DISCLOSED TO OTHERS UNLESS PRIOR WRITTEN AUTHORIZATION IS OBTAINED.

TITLE:
THREE-LINE DIAGRAM
 224~577RLA G3+A

PROJECT NUMBER:

REVISION: 2
 SCALE: 1.0=2.5
 PRESALE SUBMITTAL
 DRAWING NUMBER: PS 1808GM08



CT SELECTION TABLE (CT1-3)

RLA	RATIO	CT OUTPUT RANGE
224-225	250:5	4.48-4.50A
226-270	300:5	3.78-4.50A
271-315	350:5	4.87-4.50A
316-360	400:5	3.95-4.50A
361-374	450:5	4.01-4.16A
375-450	500:5	3.75-4.5A
451-540	600:5	3.75-4.5A
541-577	700:5	3.66-4.12A

- LEGEND
- ACL AC LINE REACTOR
 - AM AMMETER
 - AMS AMMETER SWITCH
 - CB THERMAL-MAG CIRCUIT BREAKER
 - CPT CONTROL POWER TRANSFORMER
 - CT CURRENT TRANSFORMER
 - DCL DC LINK REACTOR
 - FUSE
 - HF HARMONIC FILTER
 - MCCB MOLDED CASE CIRCUIT BREAKER
 - MOT MOTOR
 - PB POWER BLOCK
 - VFD VARIABLE FREQUENCY DRIVE
 - VM VOLTMETER
 - VMS VOLTMETER SWITCH
 - ⊕ JUMPER
 - Ⓜ SEE RATINGS PAGE

