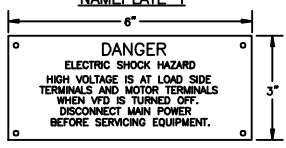
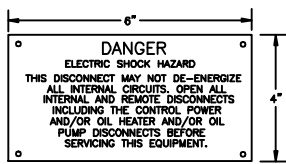


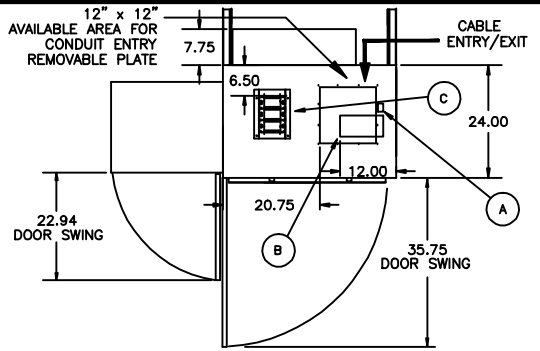
- LEGEND**
- A - GROUND LUG (2 AWG ~ 4/0)
 - B - INPUT TERMINATIONS (RIGHT SIDE OR TOP ENTRY)
3 x (3/0 ~ 500MCM) PER Ø
(75°C TYPES RHW, THHW, THW, THWN, XHHW)
 - C - OUTPUT TERMINATIONS (RIGHT SIDE OR TOP ENTRY)
2 x (#6AWG ~ 500MCM) PER Ø
(75°C TYPES RHW, THHW, THW, THWN, XHHW)
 - D - GREEN PILOT LIGHT - "POWER ON"
 - E - RED PILOT LIGHT - "RUN"
 - F - AMBER PILOT LIGHT - "FAULT"
 - G - PUSHBUTTON - "EMERGENCY STOP"
 - H - GROUNDING STUD (OPTIONAL) (3/8-16 x 3/4")
 - I - START COUNTER (OPTIONAL)
 - J - ELAPSED TIME METER (OPTIONAL)
 - K - AMMETER - 0~XXXX (OPTIONAL)
 - L - 3Ø AMMETER SWITCH (OPTIONAL)
 - M - VOLTMETER - 0-600V (OPTIONAL)
 - N - 3Ø VOLTMETER SWITCH



NOTE: NAMEPLATES TO BE RED WITH WHITE LETTERS. FIRST LINE TO BE 3/8". ALL OTHER LINES TO BE 3/16".

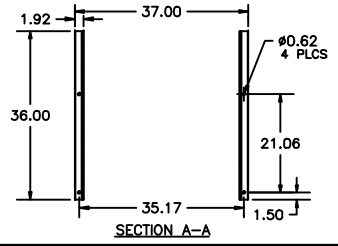
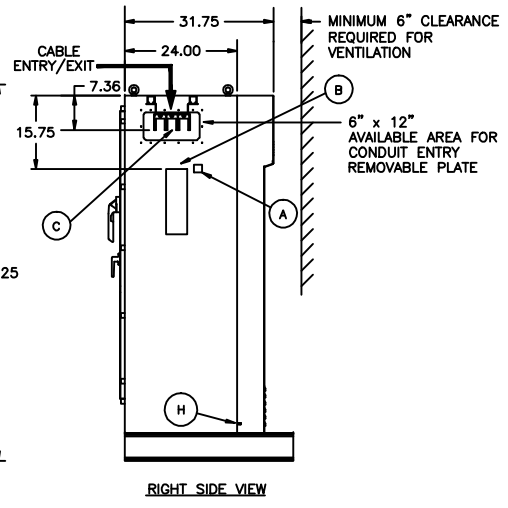
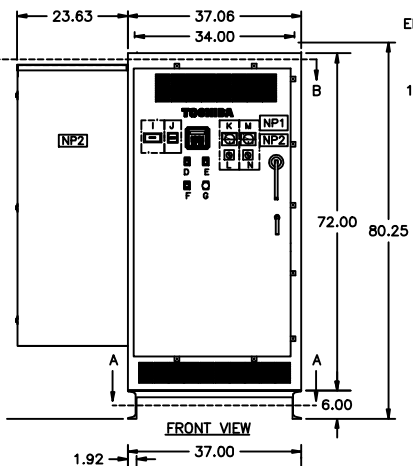
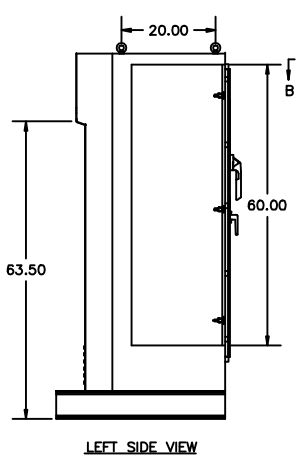
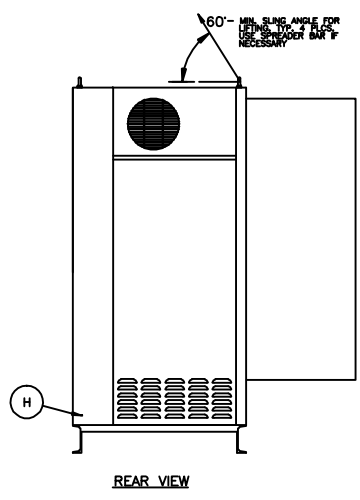
NOTES

- DIMENSIONS ARE IN INCHES.
- DIMENSIONS FOR REFERENCE ONLY.
- WEIGHT: APPROX. 1550lbs (705kg)
- COLOR: GRAY
- INPUT/OUTPUT TERMINATION BENDING SPACE IN ACCORDANCE WITH NEC TABLE 373-6(b)



RATING	A	B
260kVA	11.00	18.75
390~518kVA	12.00	15.75

CIRCUIT BREAKER RATING		
RLA	CB AMPS	AIC@480V
290	400	65kA
434	600	65kA
506	600	65kA
577	800	65kA



REV	DATE	DESCRIPTION	BY	CHK	APPR
4					
3					
2					
1					
0					

TOSHIBA
TOSHIBA INTERNATIONAL CORPORATION
MADE IN HOUSTON, TEXAS U.S.A.

THIS MATERIAL IS THE EXCLUSIVE PROPERTY OF TOSHIBA INTERNATIONAL CORPORATION AND SHALL NOT BE REPRODUCED, USED, OR DISCLOSED TO OTHERS UNLESS PRIOR WRITTEN AUTHORIZATION IS OBTAINED.

TITLE:
ENCL OUTLINE, TOP/SIDE LWR ENTRY/EXIST
224~577RLA G3+A

CUSTOMER: _____ PROJECT NUMBER: _____

REVISION: 2	SCALE: 1.0=26.0
PRESALE SUBMITTAL	
DRAWING NUMBER: PS I808GM31	