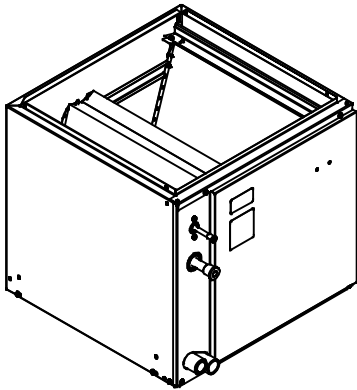




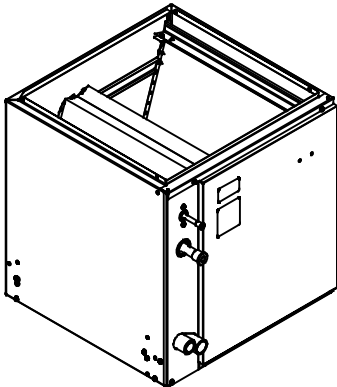
CNPVP, CNRVP, CNPVT, CNRVT, CNPVU, CNRVU EVAPORATOR COIL N COIL - CASED AND UNCASED UPFLOW, DOWNFLOW

Product Data



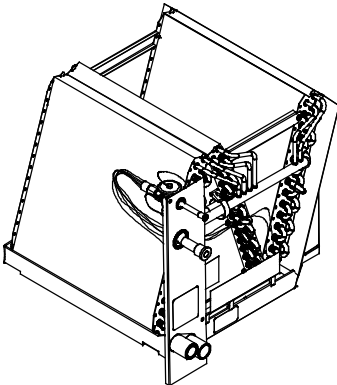
CN(P,R)VP

A06008



CN(P,R)VT (Transition)

A06007



CN(P,R)VU

A06004

This vertical design N-coil is a furnace coil designed to provide the highest standards of reliability and durability. The coils are available for use in R-410A and R-22 refrigerant systems.

Both designs have a painted case and come with factory-installed thermostatic expansion valves (TXV). The coils are offered in different width configurations for use in multiple installation applications. Additionally, they are offered in a transition configuration, a design which simplifies making field-supplied transition duct configurations. Easy maintenance is provided as the coil slides out of the cabinet after removing the access door and service panel. The coils are available in sizes 018 through 061 (1-1/2 to 5 tons).

Transition coil models CNPVT and CNRVT are designed for use with one size smaller width furnaces without field modifications.

CN(P,R)V(P,T) and CNPVU are available in tin-plated copper coil models. These coils are built with special hairpins which are tin-plated to resist both general pitting corrosion and excessive indoor corrosion-formicary corrosion. (Formicary corrosion is an industry phenomenon.)

STANDARD FEATURES

Water Management — These coil designs do an excellent job of water management. The coils are designed to avoid water blow-off into the ducts by directing condensate away from the fins and into the drain pan.

Durable Condensate Pan — Each coil is equipped with a corrosion-resistant condensate drain pan. The condensate drain pan is designed with a slope to help ensure proper drainage, improved moisture removal, and home comfort.

Compact Design — Unique design offers as much as 2 to 4 in. (51 to 102 mm) less in height to aid in tight installations.

Brass Inserts — Every condensate pan features two 3/4 in. female threaded brass insert connections. The unique brass inserts provide for a leak-free condensate line connection to prevent water damage.

Refrigerant Connections — The coils are provided with proven sweat-connections for leak-free operation maintaining system reliability.

Burst Pressures — These coils meet or exceed burst pressure of 2100 psi which is at least three to five times the pressure they will see in actual application.

Thermostatic Expansion Valves (TXV) — All Payne® coils have refrigerant-specific factory-installed TXVs.

Teflon Ring — The ring, installed inside the liquid line connection at the TXV, is the best option for preventing refrigerant leaks and future service calls. Teflon works with both R-410A and R-22 refrigerants.

Protective Tube Sheets — Protect the durable copper tubing from being damaged during the manufacturing and installation process.

MODEL NUMBER NOMENCLATURE

1 2 3 4 5 6 7 8 9 10 11 12
 C N P V P 1 8 1 4 A C A

Product
 C = Coil

Type
 N = N Coil

Refrigerant Type
 P = R-410A Refrigerant TXV
 R = R-22 TXV

Coil Configuration
 V = Upflow / Downflow

Cabinet Finish
 P = Painted
 U = Uncased
 T = Transition N

Variations
 A = Basic

Tubing Design
 C = Copper
 T = Tin-Plated Copper

Revision Level
 A = 1st

Cabinet Width
 14 = 14-in. / 356mm
 17 = 17-in. / 432mm
 21 = 21-in. / 533mm
 24 = 24-in. / 610mm

Unit Capacity

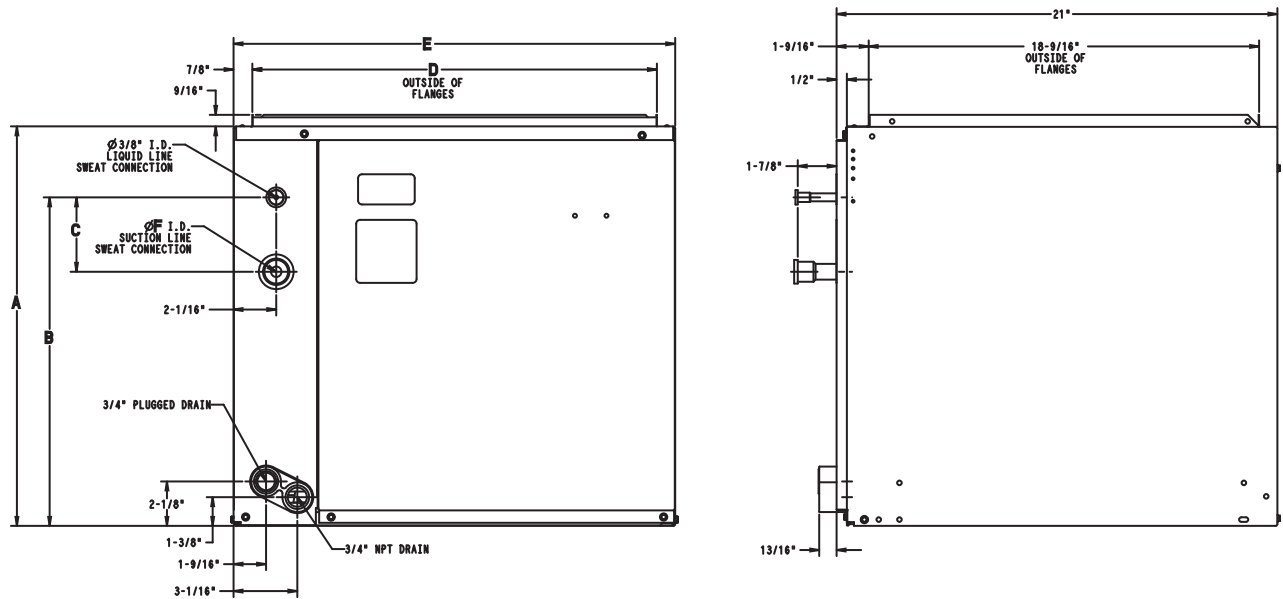
18 = 1 1/2 Ton	37 = 3 Ton
19 = 1 1/2 Ton	42 = 3 1/2 Ton
24 = 2 Ton	43 = 3 1/2 Ton
30 = 2 1/2 Ton	48 = 4 Ton
31 = 2 1/2 Ton	60 = 5 Ton
36 = 3 Ton	61 = 5 Ton

CNPV / CNRV



CERTIFICATION APPLIES ONLY WHEN THE COMPLETE SYSTEM IS LISTED WITH ARI

DIMENSIONS



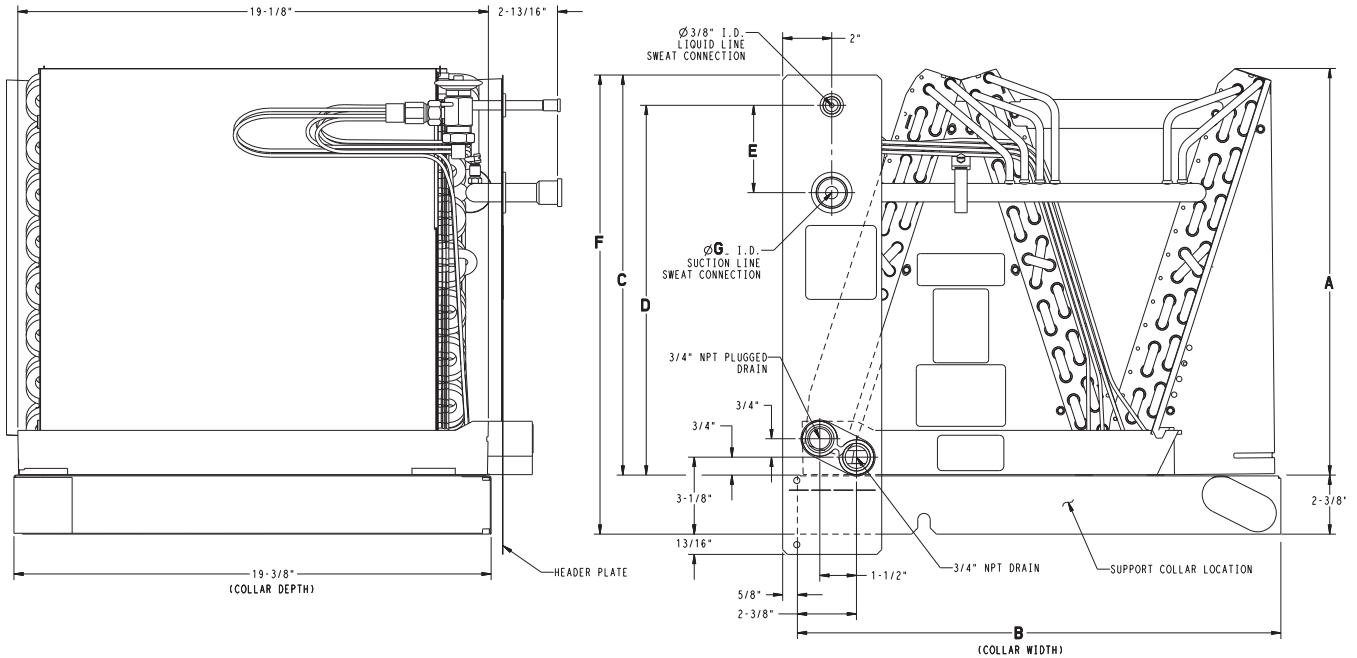
CNPV / CNRV

A05429

DIMENSIONS - CN(P,R)VP

UNIT	A in. (mm)	B in. (mm)	C in. (mm)	D in. (mm)	E in. (mm)	F in. (mm)	SHIPPING WT. lbs. (kg)	
							Non-Coated Hairpins (C)	Tin-Coated Hairpins (T)
CN*VP1814A*A	12-5/8 (321)	10-1/16 (255)	5-5/16 (135)	12-1/2 (318)	14-3/16 (361)	5/8 (16)	36.0 (16)	38.5 (17)
CNPVP1917A*A	17 (432)	13-7/8 (352)	3-9/16 (90)	15-3/4 (400)	17-1/2 (445)	3/4 (19)	36.0 (16)	38.5 (17)
CN*VP2414A*A	14-5/8 (371)	12-1/16 (306)	5-5/16 (135)	12-1/2 (318)	14-3/16 (361)	5/8 (16)	39.5 (18)	40.0 (18)
CN*VP2417A*A	14-5/8 (371)	10-1/16 (255)	3-9/16 (90)	15-3/4 (400)	17-1/2 (445)	5/8 (16)	39.5 (18)	42.5 (19)
CN*VP3014A*A	17 (432)	13-5/8 (346)	5-5/16 (135)	12-1/2 (318)	14-3/16 (361)	3/4 (19)	46.5 (21)	50.0 (23)
CN*VP3017A*A	17 (432)	13-7/8 (352)	3-9/16 (90)	15-3/4 (400)	17-1/2 (445)	3/4 (19)	47.0 (21)	49.5 (22)
CNPVP3117A*A	23-1/4 (490)	17-1/2 (445)	3-9/16 (90)	15-3/4 (400)	17-1/2 (445)	3/4 (19)	47.0 (21)	49.5 (22)
CN*VP3617A*A	17 (432)	13-7/8 (352)	3-9/16 (90)	15-3/4 (400)	17-1/2 (445)	3/4 (19)	48.5 (22)	51.0 (23)
CN*VP3621A*A	17 (432)	13-9/16 (344)	3-9/16 (90)	19-1/4 (489)	21 (533)	3/4 (19)	48.0 (22)	51.0 (23)
CNPVP3717A*A	27-3/16 (691)	17-1/2 (445)	3-9/16 (90)	15-3/4 (400)	17-1/2 (445)	7/8 (22)	45.2 (21)	51.8 (24)
CNPVP4217A*A	21-1/8 (537)	13-7/8 (352)	3-9/16 (90)	15-3/4 (400)	17-1/2 (445)	7/8 (22)	52.0 (24)	55.0 (25)
CN*VP4221A*A	19 (483)	15-5/8 (397)	3-9/16 (90)	19-1/4 (489)	21 (533)	7/8 (22)	56.5 (27)	59.5 (27)
CNPVP4324A*A	26-5/16 (668)	17-5/16 (440)	3-9/16 (90)	22-3/4 (578)	24-1/2 (622)	7/8 (22)	58 (26.3)	59.5 (27)
CN*VP4821A*A	22-1/16 (560)	17-1/2 (445)	3-9/16 (90)	19-1/4 (489)	21 (533)	7/8 (22)	65.5 (30)	68.5 (31)
CN*VP4824A*A	22-1/16 (560)	17-1/4 (438)	3-9/16 (90)	22-3/4 (578)	24-1/2 (622)	7/8 (22)	62.0 (28)	65.0 (29)
CN*VP6024A*A	26-5/16 (668)	17-15/16 (456)	3-9/16 (90)	22-3/4 (578)	24-1/2 (622)	7/8 (22)	78.0 (35)	80.5 (37)
CNPVP6124A*A	32-7/16 (824)	17-15/16 (456)	3-9/16 (90)	22-3/4 (578)	24-1/2 (622)	7/8 (22)	83.5 (38)	86.5 (39)

DIMENSIONS (cont.)



CNPV / CNRV

A06503

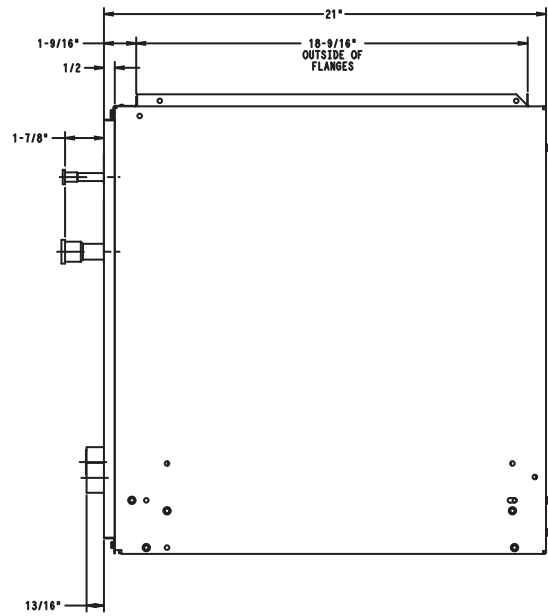
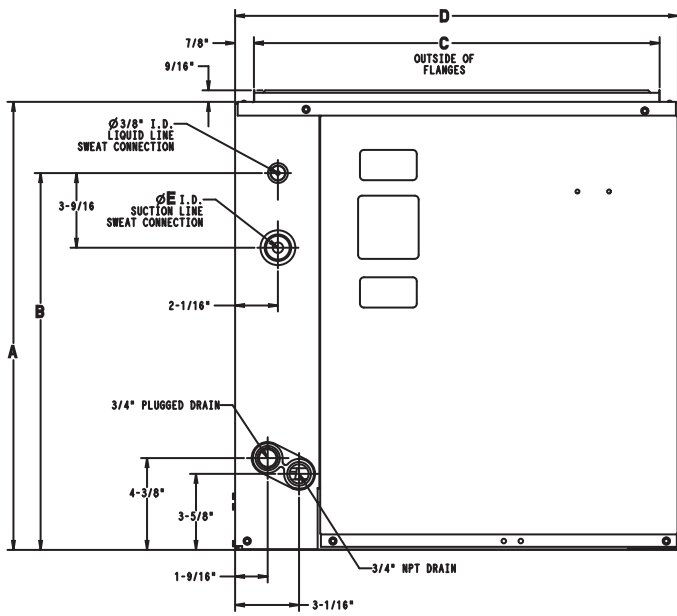
DIMENSIONS - CNPVU

UNIT	A in (mm)	B in (mm)	C in (mm)	D in (mm)	E in (mm)	F in (mm)	G in (mm)	SHIPPING WT. lb(kg)
CNPVU1814A*A	10-7/8 (276)	12-1/2 (318)	10-5/8 (270)	9-3/8 (238)	5-5/16 (135)	13 (330)	5/8 (16)	17.0 (8)
CNPVU2414A*A	12-7/8 (327)	12-9/16 (319)	12-5/8 (321)	11-7/16 (290)	5-5/16 (135)	15 (381)	5/8 (16)	21.0 (10)
CNPVU2417A*A	12-3/4 (324)	15-15/16 (405)	12-5/8 (321)	11-7/16 (290)	5-5/16 (135)	15 (381)	5/8 (16)	23.0 (10)
CNPVU3014A*A	14-7/8 (378)	12-5/8 (321)	14-3/16 (361)	13 (330)	5-5/16 (135)	16-9/16 (421)	3/4 (19)	23.0 (10)
CNPVU3017A*A	14-3/4 (375)	15-15/16 (405)	14-3/16 (361)	13 (330)	5-5/16 (135)	16-9/16 (421)	3/4 (19)	25.0 (11)
CNPVU3617A*A	14-11/16 (373)	15-15/16 (405)	14-7/16 (367)	13-1/4 (336)	3-9/16 (90)	16-13/16 (427)	3/4 (19)	26.0 (12)
CNPVU3621A*A	14-1/2 (368)	19-5/16 (490)	14-7/16 (367)	13-1/4 (336)	3-9/16 (90)	16-13/16 (427)	3/4 (19)	28.0 (13)
CNPVU4221A*A	16-1/2 (368)	19-5/16 (490)	16-3/16 (411)	15 (381)	3-9/16 (90)	18-9/16 (471)	7/8 (22)	29.0 (13)
CNPVU4821A*A	20-9/16 (522)	19-5/16 (490)	18-1/16 (459)	16-7/8 (429)	3-9/16 (90)	20-7/16 (519)	7/8 (22)	33.0 (15)
CNPVU4824A*A	20-3/8 (518)	22-7/8 (581)	18-1/16 (459)	16-7/8 (429)	3-9/16 (90)	20-7/16 (519)	7/8 (22)	35.0 (16)
CNPVU6024A*A	24-3/8 (619)	22-7/8 (581)	18-1/2 (470)	17-5/16 (440)	3-9/16 (90)	20-7/8 (530)	7/8 (22)	35.0 (16)

DIMENSIONS - CNRVU

UNIT	A in (mm)	B in (mm)	C in (mm)	D in (mm)	E in (mm)	F in (mm)	G in (mm)	SHIPPING WT. lb(kg)
CNRVU1814ACA	10-7/8 (276)	12-1/2 (318)	10-5/8 (270)	9-3/8 (238)	5-5/16 (135)	13 (330)	5/8 (16)	17.0 (8)
CNRVU2414ACA	12-7/8 (327)	12-9/16 (319)	12-5/8 (321)	11-7/16 (290)	5-5/16 (135)	15 (381)	5/8 (16)	21.0 (10)
CNRVU3014ACA	14-7/8 (378)	12-5/8 (321)	14-3/16 (361)	13 (330)	5-5/16 (135)	16-9/16 (421)	3/4 (19)	23.0 (10)
CNRVU3617ACA	14-11/16 (373)	15-15/16 (405)	14-7/16 (367)	13-1/4 (336)	3-9/16 (90)	16-13/16 (427)	3/4 (19)	26.0 (12)
CNRVU4221ACA	16-1/2 (368)	19-5/16 (490)	16-3/16 (411)	15 (381)	3-9/16 (90)	18-9/16 (471)	7/8 (22)	29.0 (13)
CNRVU4821ACA	20-9/16 (522)	19-5/16 (490)	18-1/16 (459)	16-7/8 (429)	3-9/16 (90)	20-7/16 (519)	7/8 (22)	33.0 (15)
CNRVU6024ACA	24-3/8 (619)	22-7/8 (581)	18-1/2 (470)	17-5/16 (440)	3-9/16 (90)	20-7/8 (530)	7/8 (22)	35.0 (16)

DIMENSIONS (cont.)



CNPV / CNRV

A05431

DIMENSIONS - CN(P,R)VT

UNIT	A in (mm)	B in (mm)	C in (mm)	D in (mm)	E in (mm)	SHIPPING WT. lb (kg)	
						Non-Coated Hairpins (C)	Tin-Coated Hairpins (T)
CN*VT3617A*A	19-13/16 (503)	16-1/8 (410)	15-3/4 (400)	17-1/2 (445)	3/4 (19)	48.5 (22)	51.0 (23)
CN*VT4221A*A	21-13/16 (554)	17-7/8 (454)	19-1/4 (489)	21 (533)	7/8 (22)	62.0 (28)	64.5 (29)
CN*VT4821A*A	24-7/8 (632)	19-3/4 (502)	19-1/4 (489)	21 (533)	7/8 (22)	71.0 (32)	73.5 (33)
CN*VT6024A*A	29-1/8 (740)	20-3/16 (513)	22-3/4 (578)	24-1/2 (622)	7/8 (22)	78.0 (35)	80.5 (37)

NOTE: This coil suitable for use on furnace width one size down from coil casing width.

PERFORMANCE DATA

COOLING CAPACITIES (MBH) - R-410A REFRIGERANT

CNPV UNIT SIZE	INDOOR COIL AIR		SATURATED TEMPERATURE LEAVING EVAPORATOR °F (°C)														
			30 (-1)			35 (2)			40 (4)			45 (7)			50 (10)		
	CFM	EWB	TC	SHC	BF	TC	SHC	BF	TC	SHC	BF	TC	SHC	BF	TC	SHC	BF
1814	450	72 (22)	31.00	15.20	0.00	28.60	13.90	0.00	25.80	12.50	0.00	22.80	11.10	0.00	19.30	9.60	0.00
		67 (19)	26.00	15.70	0.00	23.50	14.30	0.01	20.70	12.80	0.01	17.60	11.30	0.01	14.10	9.80	0.01
		62 (17)	21.50	16.00	0.01	18.90	14.50	0.01	16.10	13.00	0.01	13.00	11.50	0.01	10.10	10.10	0.03
	600	72 (22)	38.30	18.70	0.00	35.30	17.10	0.00	32.00	15.50	0.00	28.20	13.80	0.00	23.90	12.00	0.01
		67 (19)	32.30	19.50	0.01	29.20	17.80	0.02	25.70	16.10	0.02	21.80	14.30	0.02	17.50	12.40	0.02
		62 (17)	26.70	20.10	0.02	23.50	18.40	0.02	20.00	16.60	0.02	16.20	14.80	0.02	12.90	12.90	0.06
	750	72 (22)	44.30	21.50	0.00	40.90	19.90	0.00	37.00	18.10	0.00	32.70	16.10	0.02	27.70	14.00	0.02
		67 (19)	37.40	22.80	0.03	33.90	20.90	0.03	29.90	19.00	0.03	25.40	16.90	0.03	20.40	14.70	0.04
		62 (17)	31.10	23.80	0.04	27.40	21.80	0.04	23.40	19.80	0.04	19.10	17.70	0.04	15.60	15.60	0.10
1917	450	72 (22)	43.72	21.88	0.00	40.49	20.18	0.00	36.83	18.36	0.00	32.67	16.42	0.00	27.95	14.37	0.00
		67 (19)	36.66	22.46	0.00	33.32	20.65	0.00	29.55	18.73	0.00	25.28	16.69	0.00	20.45	14.55	0.00
		62 (17)	30.28	22.93	0.01	26.83	21.02	0.01	23.00	19.03	0.01	18.79	16.98	0.01	14.88	14.88	0.04
	600	72 (22)	53.61	26.56	0.00	49.70	24.60	0.00	45.23	22.48	0.00	40.13	20.19	0.01	34.31	17.72	0.01
		67 (19)	45.00	27.67	0.01	40.96	25.56	0.01	36.35	23.28	0.01	31.10	20.84	0.01	25.13	18.26	0.01
		62 (17)	37.22	28.61	0.01	33.03	26.36	0.01	28.38	24.00	0.01	23.28	21.54	0.02	19.00	19.00	0.07
	750	72 (22)	61.74	30.45	0.00	57.28	28.32	0.00	52.17	25.97	0.01	46.32	23.41	0.02	39.65	20.66	0.02
		67 (19)	51.91	32.14	0.02	47.30	29.82	0.02	42.02	27.29	0.02	35.98	24.55	0.02	29.10	21.62	0.02
		62 (17)	42.99	33.62	0.02	38.23	31.14	0.02	32.93	28.50	0.02	27.20	25.75	0.03	22.72	22.72	0.10
2414 2417	600	72 (22)	39.00	19.00	0.00	36.00	17.50	0.00	32.70	15.90	0.00	28.80	14.10	0.00	24.60	12.30	0.01
		67 (19)	32.80	19.80	0.01	29.80	18.20	0.01	26.30	16.40	0.01	22.40	14.60	0.02	18.10	12.60	0.02
		62 (17)	27.20	20.50	0.02	24.00	18.70	0.02	20.50	16.90	0.02	16.60	15.00	0.02	13.10	13.10	0.05
	800	72 (22)	47.10	22.80	0.00	43.60	21.10	0.00	39.60	19.30	0.00	35.00	17.30	0.02	29.90	15.10	0.02
		67 (19)	39.80	24.20	0.03	36.10	22.30	0.03	32.00	20.30	0.03	27.30	18.10	0.03	22.00	15.90	0.03
		62 (17)	33.10	25.40	0.03	29.30	23.40	0.03	25.10	21.20	0.03	20.50	19.00	0.04	16.70	16.70	0.09
	1000	72 (22)	53.40	25.90	0.00	49.50	24.20	0.00	45.10	22.10	0.02	40.00	19.90	0.03	34.10	17.50	0.04
		67 (19)	45.30	27.90	0.05	41.20	25.90	0.05	36.60	23.70	0.05	31.30	21.30	0.05	25.20	18.70	0.05
		62 (17)	37.80	29.60	0.05	33.60	27.40	0.05	28.80	25.10	0.05	23.80	22.70	0.06	20.00	20.00	0.13
3014 3017	750	72 (22)	48.00	23.50	0.00	44.00	21.40	0.00	39.70	19.20	0.00	34.80	17.00	0.00	29.40	14.60	0.01
		67 (19)	40.30	24.20	0.01	36.20	22.00	0.02	31.80	19.70	0.02	26.80	17.40	0.02	21.40	15.00	0.02
		62 (17)	33.20	24.80	0.02	29.10	22.50	0.02	24.60	20.20	0.02	19.90	17.90	0.02	15.60	15.60	0.05
	1000	72 (22)	58.70	28.50	0.00	53.90	26.10	0.00	48.50	23.60	0.00	42.50	20.90	0.02	35.80	18.10	0.03
		67 (19)	49.40	29.90	0.03	44.40	27.30	0.03	38.90	24.60	0.04	32.90	21.70	0.04	26.20	18.80	0.04
		62 (17)	40.80	30.90	0.04	35.80	28.20	0.04	30.30	25.40	0.04	24.60	22.60	0.05	19.90	19.90	0.10
	1250	72 (22)	67.40	32.70	0.00	61.90	30.10	0.00	55.70	27.30	0.02	48.80	24.20	0.04	41.10	21.00	0.05
		67 (19)	56.80	34.70	0.05	51.20	31.80	0.06	44.90	28.70	0.06	37.80	25.50	0.06	30.10	22.20	0.06
		62 (17)	47.10	36.30	0.06	41.30	33.20	0.06	35.00	30.10	0.06	28.60	27.00	0.07	23.70	23.70	0.14
3117	750	72 (22)	74.50	37.07	0.00	68.51	33.85	0.00	61.86	30.50	0.00	54.41	27.00	0.00	46.04	23.35	0.00
		67 (19)	62.13	37.73	0.01	56.03	34.37	0.01	49.24	30.87	0.01	41.66	27.24	0.01	32.96	23.39	0.01
		62 (17)	50.98	38.20	0.01	44.75	34.72	0.01	37.95	31.17	0.01	30.17	27.36	0.01	23.70	23.70	0.06
	1000	72 (22)	92.35	45.51	0.00	85.01	41.76	0.00	76.78	37.78	0.00	67.46	33.54	0.01	57.03	29.08	0.01
		67 (19)	77.15	46.96	0.02	69.62	42.94	0.02	61.18	38.71	0.02	51.69	34.27	0.02	41.04	29.62	0.02
		62 (17)	63.39	48.06	0.02	55.66	43.85	0.02	47.21	39.53	0.02	38.21	35.15	0.02	30.59	30.59	0.08
	1250	72 (22)	107.37	52.63	0.00	98.97	48.52	0.00	89.37	44.04	0.01	78.59	39.23	0.02	66.39	34.13	0.02
		67 (19)	89.89	54.97	0.03	81.19	50.47	0.03	71.37	45.67	0.03	60.28	40.57	0.03	47.77	35.20	0.03
		62 (17)	73.97	56.83	0.03	64.99	52.05	0.03	55.22	47.14	0.03	44.93	42.16	0.04	36.94	36.94	0.11
3617 3621 T3617	900	72 (22)	58.10	28.30	0.00	53.40	25.90	0.00	48.00	23.30	0.00	42.10	20.60	0.01	35.50	17.80	0.02
		67 (19)	48.90	29.50	0.02	44.00	26.90	0.03	38.50	24.20	0.03	32.50	21.30	0.03	25.90	18.40	0.03
		62 (17)	40.40	30.40	0.03	35.40	27.70	0.03	29.90	24.90	0.03	24.20	22.10	0.04	19.40	19.40	0.08
	1200	72 (22)	70.00	33.90	0.00	64.30	31.20	0.00	57.80	28.30	0.02	50.70	25.10	0.04	42.70	21.80	0.05
		67 (19)	58.90	35.90	0.05	53.10	32.90	0.05	46.50	29.70	0.05	39.30	26.40	0.06	31.20	22.90	0.06
		62 (17)	48.80	37.50	0.06	42.80	34.30	0.06	36.30	31.00	0.06	29.60	27.80	0.06	24.40	24.40	0.13
	1500	72 (22)	79.30	38.60	0.00	72.90	35.60	0.02	65.70	32.30	0.05	57.50	28.80	0.06	48.50	25.10	0.07
		67 (19)	67.00	41.30	0.08	60.40	38.00	0.08	53.00	34.40	0.08	44.70	30.70	0.08	35.50	26.80	0.09
		62 (17)	55.70	43.60	0.09	48.80	40.00	0.09	41.60	36.50	0.09	34.20	32.90	0.10	28.80	28.80	0.18
3717	900	72 (22)	86.45	42.79	0.00	79.79	39.28	0.00	72.26	35.55	0.00	63.72	31.59	0.00	54.22	27.47	0.00
		67 (19)	72.26	43.90	0.01	65.40	40.18	0.01	57.69	36.26	0.01	49.03	32.14	0.01	39.27	27.83	0.01
		62 (17)	59.44	44.77	0.01	52.40	40.88	0.01	44.62	36.85	0.01	36.17	32.73	0.01	28.45	28.45	0.06
	1200	72 (22)	106.02	52.03	0.00	97.94	48.01	0.00	88.72	43.65	0.00	78.38	39.00	0.01	66.68	34.06	0.01
		67 (19)	88.80	54.21	0.02	80.47	49.85	0.02	71.05	45.21	0.02	60.40	40.28	0.02	48.31	35.05	0.02
		62 (17)	73.18	55.98	0.02	64.58	51.37	0.02	55.14	46.59	0.02	44.93	41.66	0.02	36.59	36.59	0.08
	1500	72 (22)	122.09	59.72	0.00	112.86	55.34	0.00	102.29	50.48	0.02	90.55	45.34	0.02	77.08	39.79	0.03
		67 (19)	102.46	63.03	0.03	92.95	58.22	0.03	82.20	53.07	0.03	69.94	47.52	0.03	55.95	41.57	0.03
		62 (17)	84.62	65.86	0.03	74.82	60.74	0.03	64.08	55.41	0.03	52.61	49.87	0.04	43.79	43.79	0.12

Legend:

CFM – Cubic Ft. per Minute EWB – Entering Wet Bulb LWB – Leaving Wet Bulb TC – Gross Cooling Capacity 1000 Btu/h
 SHC – Gross Sensible Capacity 1000 Btu/h BF – Bypass Factor MBH – 1000 Btu/h

See notes page 8.

PERFORMANCE DATA (cont.)

COOLING CAPACITIES (MBH) - R-410A REFRIGERANT

CNPV UNIT SIZE	INDOOR COIL AIR		SATURATED TEMPERATURE LEAVING EVAPORATOR °F (°C)														
			30 (-1)			35 (2)			40 (4)			45 (7)			50 (10)		
	CFM	EWB	TC	SHC	BF	TC	SHC	BF	TC	SHC	BF	TC	SHC	BF	TC	SHC	BF
4217 4221 4224 T4221	1050	72 (22)	74.40	36.30	0.00	68.10	33.10	0.00	61.20	29.70	0.00	53.50	26.20	0.01	45.00	22.60	0.02
		67 (19)	62.30	37.60	0.02	56.00	34.20	0.03	48.90	30.60	0.03	41.20	27.00	0.03	32.80	23.30	0.03
		62 (17)	51.40	38.60	0.03	44.90	35.00	0.03	37.90	31.40	0.03	30.60	27.80	0.04	24.40	24.40	0.08
	1400	72 (22)	90.20	43.80	0.00	82.60	40.10	0.00	74.10	36.20	0.01	64.70	32.00	0.04	54.40	27.60	0.05
		67 (19)	75.80	46.00	0.05	68.00	42.00	0.05	59.40	37.70	0.06	50.00	33.40	0.06	39.60	28.90	0.06
		62 (17)	62.60	47.70	0.06	54.70	43.50	0.06	46.20	39.20	0.06	37.50	35.00	0.07	30.70	30.70	0.13
	1750	72 (22)	103.00	50.00	0.00	94.30	46.00	0.00	84.60	41.50	0.05	73.90	36.80	0.06	62.00	32.00	0.07
		67 (19)	86.70	53.10	0.08	77.80	48.60	0.08	68.00	43.90	0.08	57.10	39.00	0.08	45.20	33.90	0.09
		62 (17)	71.70	55.70	0.09	62.70	50.90	0.09	53.10	46.20	0.09	43.40	41.50	0.10	36.30	36.30	0.18
4324	1050	72 (22)	96.72	47.64	0.00	89.31	43.85	0.00	80.91	39.78	0.00	71.39	35.44	0.00	60.74	30.89	0.01
		67 (19)	80.93	49.26	0.01	73.30	45.20	0.01	64.67	40.88	0.01	54.97	36.34	0.01	43.99	31.53	0.01
		62 (17)	66.64	50.56	0.01	58.77	46.28	0.01	50.10	41.84	0.01	40.70	37.29	0.02	32.63	32.63	0.07
	1400	72 (22)	117.07	57.30	0.00	108.20	53.03	0.00	98.03	48.31	0.01	86.74	43.33	0.02	73.81	37.96	0.02
		67 (19)	98.18	60.23	0.03	89.03	55.55	0.03	78.69	50.55	0.03	66.93	45.19	0.03	53.54	39.46	0.03
		62 (17)	81.03	62.70	0.03	71.60	57.72	0.03	61.25	52.56	0.03	50.15	47.21	0.03	41.46	41.46	0.11
	1750	72 (22)	133.38	65.28	0.00	123.30	60.58	0.02	111.98	55.48	0.03	99.21	50.01	0.04	84.49	44.04	0.04
		67 (19)	112.09	69.50	0.04	101.79	64.41	0.05	90.14	58.95	0.05	76.76	52.99	0.05	61.46	46.55	0.05
		62 (17)	92.72	73.26	0.05	82.16	67.85	0.05	70.58	62.18	0.05	58.38	56.24	0.06	49.33	49.33	0.15
4821 4824 T4821	1200	72 (22)	79.30	38.70	0.00	72.90	35.40	0.00	65.70	31.90	0.00	57.70	28.20	0.00	48.80	24.40	0.01
		67 (19)	66.60	40.20	0.02	60.00	36.60	0.02	52.70	32.90	0.02	44.60	29.10	0.02	35.70	25.10	0.03
		62 (17)	55.00	41.30	0.03	48.30	37.60	0.03	40.90	33.80	0.03	33.10	30.00	0.03	26.30	26.30	0.07
	1600	72 (22)	96.00	46.60	0.00	88.30	42.90	0.00	79.60	38.90	0.00	69.90	34.50	0.03	59.10	30.00	0.04
		67 (19)	80.90	49.20	0.04	72.90	45.00	0.04	64.10	40.70	0.05	54.20	36.10	0.05	43.30	31.40	0.05
		62 (17)	67.00	51.20	0.05	58.80	46.80	0.05	49.90	42.30	0.05	40.70	37.90	0.05	33.30	33.30	0.11
	2000	72 (22)	109.40	53.10	0.00	100.70	49.10	0.00	90.90	44.60	0.03	79.90	39.80	0.05	67.50	34.70	0.06
		67 (19)	92.40	56.70	0.06	83.40	52.20	0.07	73.30	47.40	0.07	62.00	42.20	0.07	49.50	36.90	0.07
		62 (17)	76.70	59.70	0.07	67.50	54.90	0.08	57.40	49.90	0.08	47.20	44.90	0.08	39.50	39.50	0.16
6024 T6024	1600	72 (22)	103.20	50.40	0.00	94.40	45.90	0.00	84.80	41.10	0.00	74.10	36.30	0.00	62.40	31.20	0.02
		67 (19)	86.40	52.10	0.02	77.50	47.20	0.02	67.80	42.30	0.02	57.10	37.20	0.03	45.40	32.10	0.03
		62 (17)	71.20	53.30	0.03	62.20	48.30	0.03	52.40	43.30	0.03	42.30	38.30	0.03	33.50	33.50	0.07
	2000	72 (22)	120.70	58.70	0.00	110.40	53.60	0.00	99.00	48.20	0.00	86.40	42.50	0.02	72.60	36.70	0.03
		67 (19)	101.20	61.30	0.03	90.70	55.70	0.04	79.20	50.00	0.04	66.60	44.10	0.04	52.80	38.10	0.05
		62 (17)	83.40	63.20	0.05	72.80	57.40	0.05	61.40	51.60	0.05	49.70	46.00	0.05	40.30	40.30	0.11
	2400	72 (22)	135.60	65.80	0.00	124.10	60.30	0.00	111.20	54.40	0.01	97.00	48.00	0.04	81.30	41.50	0.05
		67 (19)	113.90	69.30	0.05	102.10	63.20	0.06	89.10	56.90	0.06	74.80	50.30	0.06	59.20	43.60	0.06
		62 (17)	94.10	72.10	0.06	82.10	65.70	0.06	69.30	59.30	0.06	56.40	53.00	0.07	46.50	46.50	0.14
6124 T6124	1600	72 (22)	146.13	71.69	0.00	134.50	65.77	0.00	121.56	59.54	0.00	106.83	52.86	0.00	90.32	45.83	0.01
		67 (19)	122.06	74.12	0.02	110.18	67.82	0.02	96.85	61.17	0.02	81.83	54.15	0.02	64.91	46.78	0.02
		62 (17)	100.28	76.03	0.02	88.07	69.40	0.02	74.72	62.59	0.02	60.46	55.67	0.02	48.56	48.56	0.08
	2000	72 (22)	169.63	82.84	0.00	156.39	76.39	0.00	141.33	69.41	0.01	124.36	61.86	0.02	105.10	53.83	0.02
		67 (19)	142.02	86.75	0.03	128.36	79.72	0.03	112.89	72.20	0.03	95.38	64.18	0.03	75.60	55.70	0.03
		62 (17)	116.90	89.93	0.03	102.76	82.43	0.03	87.41	74.75	0.03	71.17	66.88	0.04	58.57	58.57	0.11
	2400	72 (22)	189.44	92.42	0.00	174.81	85.58	0.00	158.22	77.98	0.02	139.30	69.76	0.03	117.75	60.94	0.04
		67 (19)	158.99	97.85	0.04	143.83	90.25	0.04	126.61	82.05	0.04	107.02	73.24	0.05	84.86	63.87	0.05
		62 (17)	131.10	102.40	0.05	115.46	94.29	0.05	98.49	85.91	0.05	80.79	77.29	0.06	67.60	67.60	0.14

CNPV / CNRV

Legend:

CFM – Cubic Ft. per Minute **EWB** – Entering Wet Bulb **LWB** – Leaving Wet Bulb **TC** – Gross Cooling Capacity 1000 Btuh
SHC – Gross Sensible Capacity 1000 Btuh **BF** – Bypass Factor **MBH** – 1000 Btuh

NOTES:

1. Contact manufacturer for cooling capacities at conditions other than shown in table.
2. Formulas:
 Leaving db = entering db - $\frac{\text{sensible heat cap.}}{1.09 \times \text{CFM}}$
 Leaving wb = wb corresponding to enthalpy of air leaving coil (h_{LWB})

$$h_{LWB} = h_{EWB} - \frac{\text{total capacity (Btuh)}}{4.5 \times \text{CFM}}$$
 Where h_{EWB} = enthalpy of air entering coil
3. SHC is based on 80°F (27°C) db temperature of air entering the evaporator coil.
 Below 80°F (27°C) db, subtract (Correction Factor x CFM) from SHC.
 Above 80°F (27°C) db, add (Correction Factor x CFM) to SHC.
4. Direct interpolation is permissible. Do not extrapolate.
5. Fan motor heat has not been deducted.
6. All data points are based on 10°F (-12°C) superheat leaving coil and use of thermostatic expansion valve (TXV) device.
7. All units have sweat suction-tube connection and a liquid-tube connection. For 1-1/8-in. system suction tube, 3/4 x 1-1/8-in. suction tube connection adapter is available as accessory.
8. The CNPVP, CNPVT and CNPVU coils can be used in any properly designed system using R-410A refrigerant.
9. The CNRVP, CNRVV and CNRVU coils can be used in any properly designed system using R-22 refrigerant.
10. Before using maximum cfm shown in table, check coil static pressure drop to ensure system blower can provide necessary static pressure needed for coil and duct systems.
11. Bypass Factor = 0 indicates no psychometric solution. Use bypass factor of next lower EWB for approximation.

CNPV / CNRV

BYPASS FACTOR	ENTERING AIR DRY BULB TEMPERATURE °F (°C)					
	79 (26)	78 (26)	77 (25)	76 (24)	75 (24)	Under 75 (24)
	81 (27)	82 (28)	83 (28)	84 (29)	84 (29)	Above 85 (29)
Correction Factor						
0.10	0.98	1.96	2.94	3.92	4.91	Use formula shown below
0.20	0.87	1.74	2.62	3.49	4.36	
0.30	0.76	1.53	2.29	3.05	3.82	

Interpolation is permissible.

Correction Factor = 1.09 x (1 - BF) x (db - 80)

PERFORMANCE DATA (cont.)

COOLING CAPACITIES (MBH) - R-22 REFRIGERANT

CNRV UNIT SIZE	INDOOR COIL AIR		SATURATED TEMPERATURE LEAVING EVAPORATOR °F (°C)															
			30 (-1)			35 (2)			40 (4)			45 (7)			50 (10)			
			CFM	EWB	TC	SHC	BF	TC	SHC	BF	TC	SHC	BF	TC	SHC	BF	TC	SHC
1814	450	72 (22)	28.60	13.90	0.00	26.60	12.90	0.00	24.20	11.80	0.00	21.60	10.60	0.00	18.60	9.40	0.00	
		67 (19)	24.20	14.80	0.01	22.10	13.70	0.01	19.70	12.50	0.01	16.80	11.20	0.01	13.50	9.70	0.01	
		62 (17)	20.20	15.50	0.01	18.00	14.30	0.01	15.40	13.00	0.01	12.50	11.70	0.01	10.20	10.20	0.08	
	600	72 (22)	33.70	16.40	0.00	31.40	15.30	0.00	28.70	14.10	0.00	25.60	12.80	0.01	22.00	11.40	0.01	
		67 (19)	28.70	17.80	0.02	26.20	16.60	0.02	23.40	15.30	0.02	20.10	13.80	0.02	16.30	12.20	0.02	
		62 (17)	24.00	19.00	0.02	21.50	17.80	0.02	18.60	16.40	0.02	15.40	14.80	0.03	13.00	13.00	0.12	
	750	72 (22)	37.50	18.40	0.01	35.00	17.30	0.01	32.10	16.00	0.02	28.70	14.60	0.02	24.60	13.00	0.03	
		67 (19)	32.00	20.30	0.03	29.40	19.10	0.03	26.20	17.70	0.03	22.60	16.10	0.03	18.60	14.40	0.03	
		62 (17)	26.90	22.10	0.03	24.20	20.80	0.04	21.10	19.30	0.04	17.90	17.70	0.05	15.40	15.40	0.16	
2414 2417	600	72 (22)	34.60	16.80	0.00	32.30	15.70	0.00	29.60	14.60	0.00	26.50	13.20	0.00	22.90	11.80	0.01	
		67 (19)	29.40	18.30	0.01	27.00	17.10	0.01	24.20	15.70	0.01	20.90	14.30	0.01	17.10	12.60	0.02	
		62 (17)	24.70	19.50	0.02	22.20	18.30	0.02	19.30	16.80	0.02	16.00	15.30	0.02	13.40	13.40	0.10	
	800	72 (22)	39.50	19.40	0.01	37.10	18.40	0.01	34.20	17.10	0.02	30.70	15.70	0.02	26.60	14.10	0.02	
		67 (19)	33.90	21.60	0.03	31.20	20.40	0.03	28.00	19.00	0.03	24.30	17.40	0.03	20.10	15.60	0.03	
		62 (17)	28.60	23.70	0.03	25.80	22.30	0.03	22.60	20.80	0.04	19.30	19.10	0.05	16.80	16.80	0.16	
	1000	72 (22)	43.20	21.50	0.03	40.60	20.50	0.04	37.50	19.20	0.04	33.80	17.70	0.04	29.30	16.00	0.04	
		67 (19)	37.10	24.50	0.05	34.30	23.20	0.05	30.90	21.80	0.05	26.80	20.10	0.05	22.20	18.20	0.05	
		62 (17)	31.50	27.30	0.05	28.60	25.90	0.05	25.30	24.30	0.06	22.30	22.30	0.11	19.60	19.60	0.21	
3014 3017	750	72 (22)	45.90	22.30	0.00	42.50	20.60	0.00	38.60	18.80	0.00	34.10	16.80	0.01	28.60	14.60	0.01	
		67 (19)	38.90	23.70	0.02	35.30	21.90	0.02	31.00	19.80	0.02	26.00	17.50	0.02	20.30	15.10	0.02	
		62 (17)	32.30	24.80	0.02	28.30	22.80	0.02	24.00	20.60	0.02	19.30	18.30	0.03	15.90	15.90	0.12	
	1000	72 (22)	53.80	26.20	0.00	49.90	24.40	0.01	45.40	22.40	0.02	40.30	20.20	0.03	34.30	17.80	0.03	
		67 (19)	45.70	28.40	0.03	41.60	26.40	0.04	37.00	24.20	0.04	31.20	21.70	0.04	24.40	18.80	0.04	
		62 (17)	38.30	30.40	0.04	34.00	28.20	0.04	29.00	25.80	0.04	23.80	23.20	0.06	20.00	20.00	0.16	
	1250	72 (22)	59.80	29.30	0.03	55.50	27.40	0.04	50.60	25.30	0.04	44.80	22.90	0.05	38.40	20.40	0.05	
		67 (19)	50.90	32.30	0.06	46.40	30.20	0.06	41.30	27.80	0.06	35.40	25.30	0.06	27.90	22.20	0.06	
		62 (17)	42.70	35.10	0.06	38.30	32.90	0.06	33.10	30.30	0.07	27.70	27.50	0.09	23.70	23.70	0.21	
900	72 (22)	53.50	26.00	0.00	49.50	24.10	0.00	45.10	22.10	0.01	40.00	19.90	0.02	33.80	17.40	0.02		
	67 (19)	45.40	27.90	0.03	41.30	25.90	0.03	36.60	23.70	0.03	30.70	21.10	0.03	24.00	18.30	0.03		
	62 (17)	37.90	29.70	0.03	33.50	27.40	0.03	28.50	24.90	0.03	23.20	22.30	0.05	19.30	19.30	0.15		
3617 3621 T3617	1200	72 (22)	61.60	30.10	0.02	57.20	28.20	0.03	52.10	26.00	0.04	46.20	23.50	0.04	39.60	20.90	0.05	
		67 (19)	52.40	33.10	0.05	47.80	30.90	0.05	42.50	28.50	0.05	36.30	25.80	0.06	28.60	22.60	0.06	
		62 (17)	44.00	35.90	0.06	39.40	33.60	0.06	34.00	30.90	0.06	28.30	28.00	0.08	24.10	24.10	0.20	
	1500	72 (22)	67.50	33.40	0.06	62.90	31.40	0.06	57.40	29.10	0.07	50.80	26.50	0.07	43.60	23.70	0.08	
		67 (19)	57.70	37.40	0.08	52.70	35.10	0.08	46.90	32.60	0.08	40.30	29.80	0.08	32.20	26.50	0.09	
		62 (17)	48.60	41.20	0.08	43.70	38.80	0.09	38.30	36.10	0.09	32.90	32.90	0.13	28.30	28.30	0.25	
4221 4224 T4221	1050	72 (22)	67.70	32.90	0.00	62.50	30.40	0.00	56.50	27.60	0.00	49.70	24.70	0.02	42.30	21.60	0.02	
		67 (19)	57.10	35.00	0.03	51.70	32.20	0.03	45.60	29.30	0.03	38.80	26.20	0.03	30.30	22.60	0.03	
		62 (17)	47.40	36.80	0.03	41.90	33.90	0.03	35.70	30.80	0.03	28.90	27.50	0.04	23.80	23.80	0.13	
	1400	72 (22)	79.00	38.50	0.00	73.10	35.80	0.02	66.20	32.80	0.04	58.30	29.40	0.04	49.30	25.90	0.05	
		67 (19)	66.90	41.80	0.05	60.70	38.70	0.05	53.50	35.40	0.06	45.50	31.90	0.06	36.30	28.10	0.06	
		62 (17)	55.70	44.70	0.06	49.40	41.50	0.06	42.60	38.10	0.06	35.40	34.50	0.08	29.90	29.90	0.18	
	1750	72 (22)	87.40	42.90	0.04	81.00	40.10	0.06	73.60	37.00	0.07	64.90	33.40	0.07	54.80	29.50	0.08	
		67 (19)	74.30	47.40	0.08	67.60	44.20	0.08	59.70	40.60	0.08	50.60	36.70	0.08	40.90	32.80	0.09	
		62 (17)	62.20	51.40	0.09	55.30	48.10	0.09	47.90	44.50	0.09	40.70	40.70	0.11	35.20	35.20	0.23	
4821 4824 T4821	1200	72 (22)	72.40	35.20	0.00	67.30	32.70	0.00	61.20	30.00	0.00	54.20	27.00	0.01	46.30	23.70	0.02	
		67 (19)	61.40	37.70	0.02	55.90	35.00	0.02	49.50	32.00	0.02	42.40	28.80	0.02	34.10	25.20	0.03	
		62 (17)	51.20	40.00	0.03	45.50	37.00	0.03	39.20	33.90	0.03	32.20	30.50	0.03	26.70	26.70	0.12	
	1600	72 (22)	83.80	41.00	0.00	78.00	38.40	0.02	71.30	35.40	0.03	63.30	32.10	0.03	54.00	28.50	0.04	
		67 (19)	71.40	44.90	0.04	65.20	42.00	0.04	58.00	38.70	0.05	49.50	35.00	0.05	40.30	31.20	0.05	
		62 (17)	59.80	48.50	0.05	53.40	45.30	0.05	46.30	41.90	0.05	39.00	38.30	0.07	33.40	33.40	0.17	
2000	72 (22)	92.10	45.50	0.04	86.00	42.90	0.05	78.70	39.80	0.05	70.10	36.40	0.06	60.00	32.50	0.06		
	67 (19)	78.70	50.90	0.07	72.10	47.80	0.07	64.30	44.40	0.07	55.10	40.40	0.07	44.90	36.30	0.07		
	62 (17)	66.30	55.90	0.07	59.60	52.60	0.07	52.10	48.90	0.08	44.90	44.90	0.11	39.20	39.20	0.22		
6024 T6024	1600	72 (22)	93.60	45.40	0.00	86.30	41.90	0.00	77.90	38.00	0.00	68.30	33.80	0.01	58.00	29.60	0.02	
		67 (19)	78.90	48.10	0.02	71.20	44.20	0.02	62.70	40.10	0.02	53.20	35.70	0.03	41.70	30.80	0.03	
		62 (17)	65.40	50.40	0.03	57.70	46.30	0.03	49.20	42.00	0.03	39.60	37.40	0.04	32.50	32.50	0.12	
	2000	72 (22)	106.40	51.70	0.00	98.20	47.90	0.00	88.80	43.70	0.02	78.00	39.10	0.03	65.80	34.10	0.03	
		67 (19)	89.90	55.50	0.04	81.30	51.30	0.04	71.50	46.70	0.04	60.60	41.80	0.04	48.30	36.60	0.04	
		62 (17)	74.70	58.90	0.04	65.90	54.40	0.04	56.60	49.70	0.05	46.50	44.80	0.06	38.90	38.90	0.16	
2400	72 (22)	116.60	57.00	0.00	107.90	53.00	0.03	97.70	48.50	0.04	85.90	43.60	0.05	72.30	38.20	0.05		
	67 (19)	98.90	61.90	0.06	89.60	57.50	0.06	78.90	52.50	0.06	66.60	47.20	0.06	53.70	41.80	0.06		
	62 (17)	82.30	66.40	0.06	72.90	61.70	0.06	62.70	56.70	0.07	52.60	51.60	0.08	44.70	44.70	0.19		

PERFORMANCE DATA (cont.)

COIL STATIC PRESSURE DROP (in. w.c.) R-410A and R-22 REFRIGERANTS

CNPV / CNRV

UNIT SIZE	Standard CFM																	
	400	500	600	700	800	900	1000	1100	1200	1300	1400	1500	1600	1700	1800	1900	2000	2100
1814	Dry																	
	0.078	0.114	0.156	0.198	0.253													
1917	Wet																	
	0.096	0.138	0.183	0.213	0.277													
2414	Dry																	
	0.042	0.060	0.080	0.102	0.128													
2417	Wet																	
	0.055	0.076	0.104	0.127	0.158													
3014	Dry																	
	0.070	0.103	0.143	0.182	0.233	0.290	0.354											
3017	Wet																	
	0.089	0.128	0.171	0.214	0.269	0.336	0.413											
3117	Dry																	
	0.048	0.068	0.090	0.112	0.140	0.170	0.203											
3617	Wet																	
	0.064	0.091	0.122	0.150	0.188	0.224	0.263											
3617 T3617	Dry																	
	0.065	0.097	0.135	0.173	0.223	0.278	0.339	0.405	0.478									
3717	Wet																	
	0.078	0.114	0.160	0.206	0.260	0.321	0.388	0.461	0.540									
4217	Dry																	
	0.042	0.060	0.080	0.102	0.128	0.157	0.188	0.222	0.259									
4221	Wet																	
	0.055	0.076	0.104	0.127	0.158	0.190	0.225	0.266	0.309									
4324	Dry																	
	0.031	0.046	0.063	0.083	0.105	0.130	0.156	0.193	0.230									
4821	Wet																	
	0.039	0.056	0.075	0.097	0.121	0.149	0.179	0.212	0.249									
4824	Dry																	
	0.043	0.061	0.082	0.103	0.128	0.157	0.189	0.221	0.259	0.299	0.341							
6024	Wet																	
	0.056	0.079	0.107	0.133	0.166	0.200	0.236	0.276	0.315	0.361	0.413							
6124	Dry																	
	0.035	0.048	0.062	0.076	0.093	0.111	0.132	0.153	0.177	0.201	0.228							
T6024	Wet																	
	0.049	0.066	0.085	0.100	0.122	0.144	0.171	0.192	0.217	0.245	0.276							
T6124	Dry																	
	0.025	0.038	0.054	0.072	0.093	0.117	0.143	0.171	0.205	0.233	0.273							
T6124	Wet																	
	0.030	0.044	0.061	0.079	0.103	0.125	0.154	0.182	0.216	0.251	0.288							
T6124	Dry																	
			0.072	0.093	0.118	0.145	0.175	0.206	0.243	0.281	0.322	0.366	0.413					
T6124	Wet																	
			0.079	0.102	0.130	0.159	0.192	0.228	0.26	0.303	0.348	0.396	0.446					
T6124	Dry																	
	0.030	0.041	0.054	0.066	0.082	0.099	0.118	0.137	0.158	0.180	0.205	0.231	0.259					
T6124	Wet																	
	0.043	0.059	0.078	0.101	0.126	0.153	0.181	0.207	0.234	0.260	0.288	0.319	0.354					
T6124	Dry																	
				0.053	0.062	0.073	0.084	0.097	0.111	0.126	0.138	0.154	0.172	0.190	0.210			
T6124	Wet																	
				0.067	0.082	0.096	0.112	0.129	0.145	0.163	0.171	0.191	0.212	0.235	0.258			
T6124	Dry																	
			0.047	0.060	0.075	0.092	0.110	0.130	0.152	0.176	0.204	0.230	0.256	0.284	0.318			
T6124	Wet																	
			0.053	0.067	0.085	0.104	0.125	0.147	0.172	0.200	0.228	0.259	0.292	0.327	0.365			
T6124	Dry																	
			0.015	0.046	0.057	0.069	0.094	0.019	0.119	0.124	0.140	0.158	0.175	0.195	0.214			
T6124	Wet																	
			0.032	0.050	0.066	0.081	0.097	0.114	0.131	0.150	0.169	0.190	0.211	0.233	0.257			
T6124	Dry																	
					0.062	0.073	0.084	0.097	0.111	0.126	0.138	0.154	0.172	0.190	0.210	0.228	0.251	0.273
T6124	Wet																	
					0.082	0.096	0.112	0.129	0.145	0.163	0.171	0.191	0.212	0.235	0.258	0.283	0.310	0.336
T6124	Dry																	
											0.130	0.140	0.160	0.180	0.200	0.220	0.240	0.270
T6124	Wet																	
											0.150	0.170	0.190	0.210	0.230	0.260	0.290	0.310

ACCESSORIES

EMPTY COIL CASING ACCESSORY FOR UNCASSED N-COIL

ACCESSORY PART NUMBER	NOMINAL COIL SIZES	DIMENSIONS in (mm)		
		H	W	D
KCAKC2612ECC	CN*VU1814, 2414, 3014,	17 (432)	14-3/16 (361)	21 (533)
KCAKC2712ECC	CN*VU2417, 3017, 3617	17 (432)	17-1/2 (445)	21 (533)
KCAKC2808ECC	CN*VU3621, 4221, 4821	22-1/16 (560)	21 (533)	21 (533)
KCAKC2904ECC	CN*VU4824, 6024	26-5/16 (668)	24-1/2 (622)	21 (533)

COUPLING KIT ACCESSORY FOR UNCASSED VERTICAL N-COIL

ACCESSORY PART NUMBER	NOMINAL COIL SIZES	DESCRIPTION
KCART0101MHA	CN*VU2417	5/8" Mechanical Connection Kit
KCART0101MHA	CN*VU3617, 4821	3/4" Mechanical Connection Kit

CNPV / CNRV

