

SYSTXCCUIZ01 – V Infinity™ Zone Control



Product Data

INFINITY™ ZONE CONTROL

Carrier® specializes in creating a customized home comfort system tailored to your needs with our broad selection of residential heating and cooling products. The Infinity Zone Control System is the ultimate control center for all of your system components. When you add an Infinity Zone Control to a compatible variable speed furnace, fan coil, or small packaged product, you will enjoy longer heating and cooling cycles at lower fan speeds for a more consistent temperature throughout your home. By adding an Infinity or Performance™ compatible outdoor unit, your benefits will increase even more. Benefits include better humidity and temperature control as well as a more energy efficient comfort system.

INDUSTRY LEADING FEATURES/BENEFITS

Carrier's revolutionary Infinity Zone Control is the smart control of the future. The Infinity Zone Control features a large backlit liquid crystal display, making it easier to read the temperature, even at night. Intuitive prompts let you program everything from humidity levels to fan speeds, giving you ultimate control over your home comfort. The Infinity Zoning system does not require a bypass damper, leaving air temperature (LAT) sensor, or a field supplied power transformer.

- Up to 8 zones of control
- Patented automatic duct assessment design compensates for duct work variability
- No bypass damper required or recommended
- No LAT or HPT sensors required or recommended
- No field-installed transformer required
- Fan airflow adjustment by zone
- 4 wire installation from each component in the system
- Intuitive on screen prompts for ease of installation and service
- *Ideal Humidity™* settings are the default, no longer requiring increased system setup
- Complete integration of the temperature, humidity, and ventilation in every season
- Hydronic Heat™ capability
- TrueSense™ Dirty Filter Detection
- Indoor Air Quality pop-up reminders
- 7 day programmability with 2 or 4 periods per day
- Easy timed override schedule
- Simplified vacation schedules
- Day-at-a-glance programming for simplified ease of use
- General maintenance reminder messaging
- Optional Remote Access Kit can be added for access to your system from the internet .



A07258

NOTE: Infinity™ Zone Control compatible with Infinity rated indoor equipment only.

MODEL NUMBER NOMENCLATURE

1 2 3 4 5 6 7 8 9 10 11 12 13 14
S Y S T X C C U I Z 0 1 - V

Product Type
Infinity System

Software Version
-V

Brand
Carrier

Packaged Quantity
01

Model Type

UIZ - Zone User Interface
4ZC - Damper Control Module
NIM - Network Interface Module
RRS - Remote Room Sensor
LBP - Large Backplate
GRP - Green ABCD Connector
RCT - System Access module (CAT5)
RWF - System Access Module (WiFi)

SYSTXCCUIZ01--V



INFINITY CONTROL

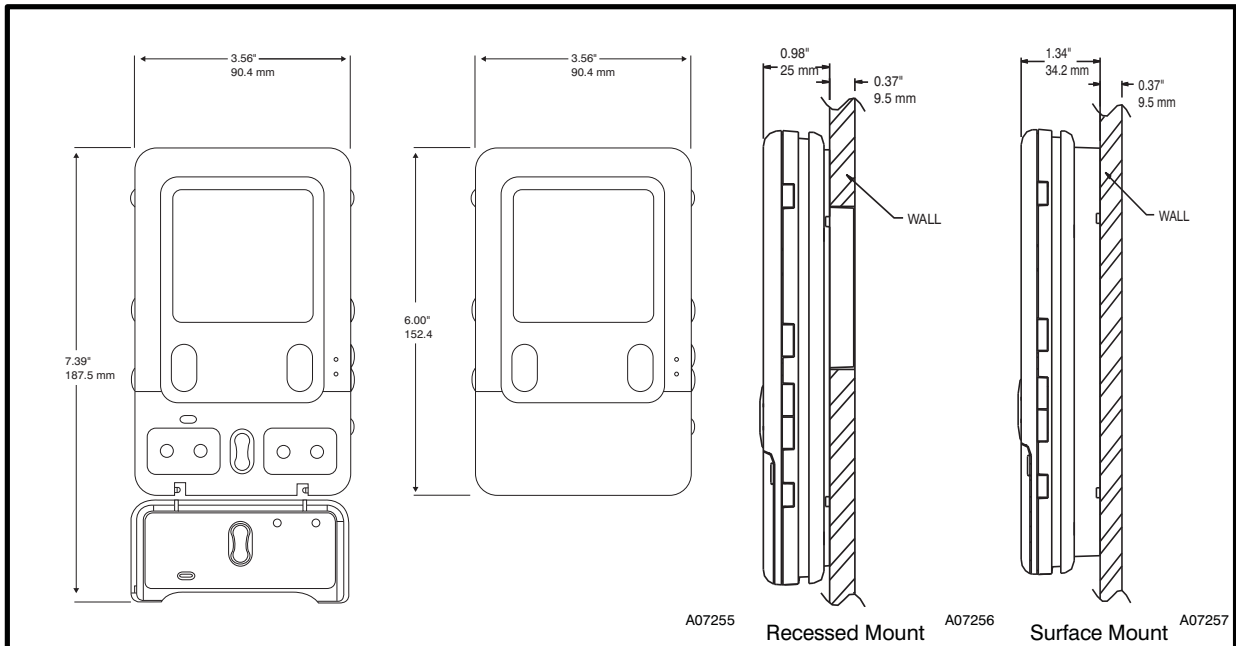


Fig. 1 - Unit Dimensions

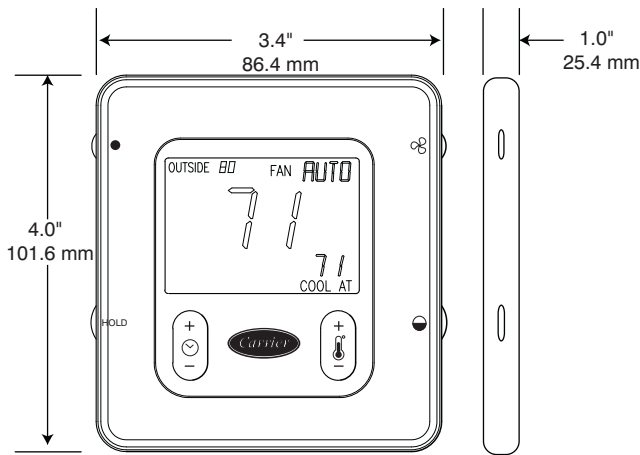


Fig. 2 - Smart Sensor Dimensions

A07266

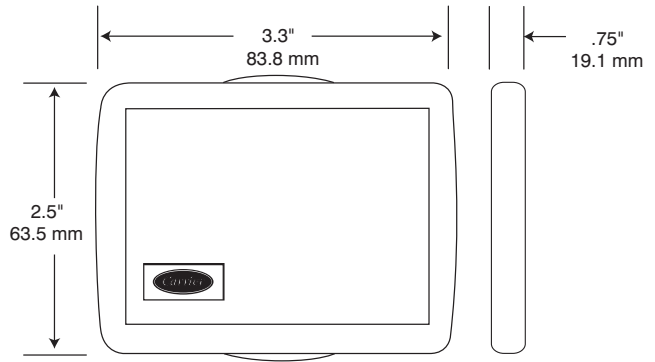


Fig. 3 - Remote Room Sensor Dimensions

A07267

ZONING EQUIPMENT

DESCRIPTION	PART NO.
Infinity Zone Control	SYSTXCCUIZ01-V
Infinity Network Interface Module (NIM)	SYSTXCCNIM01*
Infinity Damper Control Module (4 Zone)	SYSTXCC4ZC01†

NOTE: Each piece of zoning equipment is sold separately allowing for customization of the zoning application.

* Ventilator requires a Network Interface Module or Damper Control Module for operation.

Required to control a non-communicating heat pump in Hybrid Heat™ applications.

Required to control a non-communicating 2-stage AC or HP (38TDA, 38YDA)

† One damper control module handles up to 4 zones. A second damper control module is needed for zones 5-8.

OPTIONAL ACCESSORIES

DESCRIPTION	PART NO.
Infinity System Smart Sensor	SYSTXCCSMS01*
Infinity Remote Room Sensor (RRS)	SYSTXCCRRS01
Infinity Large Decorative Backplate	SYSTXX0LBP01
Green Indoor Unit Plug (ABCD Connector) – 10 Pack Replacement	SYSTXGRPLG10
Infinity System Access Module (Remote Access Kit, Broadband-Wired, CAT5)	SYSTXCCRCT01
Infinity System Access Module (Remote Access Kit, Broadband-Wireless WiFi)	SYSTXCCRFW01
Outdoor Sensor	TSTATXXSEN01-B

* A combination of Infinity Smart Sensors and Infinity Remote Room Sensors can be used in the zones.

REPLACEMENT ACCESSORIES

DESCRIPTION	PART NO.
Damper Control Module 1-amp Fuse	ATO1*

* Available from RCD

DAMPERS

TYPE	DESCRIPTION	PART NUMBER
Round Dampers	6-in. (152.4 mm)	DAMPRND06INC-B
	8-in. (203.2 mm)	DAMPRND08INC-B
	10-in. (254 mm)	DAMPRND10INC-B
	12-in. (304.8 mm)	DAMPRND12INC-B
	14-in. (355.6 mm)	DAMPRND14INC-B
	16-in. (406.4 mm)	DAMPRND16INC-B
Rectangular Dampers	8-in. X 10-in. (203.2 X 254 mm)	DAMPREC08X10-B
	8-in. X 14-in. (203.2 X 355.6 mm)	DAMPREC08X14-B
	8-in. X 18-in. (203.2 X 457.2 mm)	DAMPREC08X18-B
	8-in. X 24-in. (203.2 X 609.6 mm)	DAMPREC08X24-B
	10-in. X 10-in. (304.8 X 304.8 mm)	DAMPREC10X10-B
	10-in. X 14-in. (304.8 X 355.6 mm)	DAMPREC10X14-B
	10-in. X 18-in. (304.8 X 457.2 mm)	DAMPREC10X18-B
10-in. X 24-in. (304.8 X 609.6 mm)	DAMPREC10X24-B	

DAMPERS (cont)

TYPE	DESCRIPTION	PART NUMBER
Slip-In Dampers	Side mount, 8-in. X 8-in. (203.2 X 203.2 mm)	DAMP SLS08X08-B
	Bottom mount, 8-in. X 8-in. (203.2 X 203.2 mm)	DAMP SLB08X08-B
	Side mount, 8-in. X 10-in. (203.2 X 254 mm)	DAMP SLS08X10-B
	Bottom mount, 8-in. X 10-in. (203.2 X 254 mm)	DAMP SLB08X10-B
	Side mount, 8-in. X 12-in. (203.2 X 304.8 mm)	DAMP SLS08X12-B
	Bottom mount, 8-in. X 12-in. (203.2 X 304.8 mm)	DAMP SLB08X12-B
	Side mount, 8-in. X 14-in. (203.2 X 355.6 mm)	DAMP SLS08X14-B
	Bottom mount, 8-in. X 14-in. (203.2 X 355.6 mm)	DAMP SLB08X14-B
	Side mount, 8-in. X 16-in. (203.2 X 406.4 mm)	DAMP SLS08X16-B
	Bottom mount, 8-in. X 16-in. (203.2 X 406.4 mm)	DAMP SLB08X16-B
	Side mount, 8-in. X 18-in. (203.2 X 457.2 mm)	DAMP SLS08x18-B
	Bottom mount, 8-in. X 18-in. (203.2 X 457.2 mm)	DAMP SLB08X18-B
	Side mount, 8-in. X 20-in. (203.2 X 508 mm)	DAMP SLS08X20-B
	Bottom mount, 8-in. X 20-in. (203.2 X 508 mm)	DAMP SLB08X20-B
	Side mount, 8-in. X 22-in. (203.2 X 558.9 mm)	DAMP SLS08X22-B
	Bottom mount, 8-in. X 22-in. (203.2 X 558.9 mm)	DAMP SLB08X22-B
	Side mount, 8-in. X 24-in. (203.2 X 609.6 mm)	DAMP SLS08X24-B
	Bottom mount, 8-in. X 24-in. (203.2 X 609.6 mm)	DAMP SLB08X24-B
	Side mount, 10-in. X 10-in. (254 X 254 mm)	DAMP SLS10X10-B
	Bottom mount, 10-in. X 10-in. (254 X 254 mm)	DAMP SLB10X10-B
	Side mount, 10-in. X 12-in. (254 X 304.8 mm)	DAMP SLS10X12-B
	Bottom mount, 10-in. X 12-in. (254 X 304.8 mm)	DAMP SLB10X12-B
	Side mount, 10-in. X 14-in. (254 X 355.6 mm)	DAMP SLS10X14-B
	Bottom mount, 10-in. X 14-in. (254 X 355.6 mm)	DAMP SLB10X14-B
	Side mount, 10-in. X 16-in. (254 X 406.4 mm)	DAMP SLS10X16-B
	Bottom mount, 10-in. X 16-in. (254 X 406.4 mm)	DAMP SLB10X16-B
	Side mount, 10-in. X 18-in. (254 X 457.2 mm)	DAMP SLS10X18-B
	Bottom mount, 10-in. X 18-in. (254 X 457.2 mm)	DAMP SLB10X18-B
	Side mount, 10-in. X 20-in. (254 X 508 mm)	DAMP SLS10X20-B
	Bottom mount, 10-in. X 20-in. (254 X 508 mm)	DAMP SLB10X20-B
	Side mount, 10-in. X 22-in. (254 X 558.9 mm)	DAMP SLS10X22-B
	Bottom mount, 10-in. X 22-in. (254 X 558.9 mm)	DAMP SLB10X22-B
	Side mount, 10-in. X 24-in. (254 X 609.6 mm)	DAMP SLS10X24-B
	Bottom mount, 10-in. X 24-in. (254 X 609.6 mm)	DAMP SLB10X24-B
	Side mount, 12-in. X 12-in. (304.8 X 304.8 mm)	DAMP SLS12X12-B
	Bottom mount, 12-in. X 12-in. (304.8 X 304.8 mm)	DAMP SLB12X12-B
	Side mount, 12-in. X 14-in. (304.8 X 355.6 mm)	DAMP SLS12X14-B
	Bottom mount, 12-in. X 14-in. (304.8 X 355.6 mm)	DAMP SLB12X14-B
	Side mount, 12-in. X 16-in. (304.8 X 406.4 mm)	DAMP SLS12X16-B
	Bottom mount, 12-in. X 16-in. (304.8 X 406.4 mm)	DAMP SLB12X16-B
	Side mount, 12-in. X 18-in. (304.8 X 457.2 mm)	DAMP SLS12X18-B
	Bottom mount, 12-in. X 18-in. (304.8 X 457.2 mm)	DAMP SLB12X18-B
	Side mount, 12-in. X 20-in. (304.8 X 508 mm)	DAMP SLS12X20-B
	Bottom mount, 12-in. X 20-in. (304.8 X 508 mm)	DAMP SLB12X20-B
	Side mount, 14-in. X 14-in. (355.6 X 355.6 mm)	DAMP SLS14X14-B
	Bottom mount, 14-in. X 14-in. (355.6 X 355.6 mm)	DAMP SLB14X14-B
	Side mount, 14-in. X 16-in. (355.6 X 406.4 mm)	DAMP SLS14X16-B
	Bottom mount, 14-in. X 16-in. (355.6 X 406.4 mm)	DAMP SLB14X16-B
	Side mount, 14-in. X 20-in. (355.6 X 508 mm)	DAMP SLS14X20-B
	Bottom mount, 14-in. X 20-in. (355.6 X 508 mm)	DAMP SLB14X20-B
	Side mount, 16-in. X 16-in. (406.4 X 406.4 mm)	DAMP SLS16X16-B
	Bottom mount, 16-in. X 16-in. (406.4 X 406.4 mm)	DAMP SLB16X16-B
Bottom mount, 16-in. X 20-in. (406.4 X 508 mm)	DAMP SLB16X20-B	

DAMPER REPLACEMENT ACCESSORIES

	DESCRIPTION	PART NO.
Actuators	45° Actuator for round dampers	DAMPACT45DEG-R
	90° Actuator for rectangular dampers	DAMPACT90DEG-R
	Damper Actuator Cover	DAMPACTXXCOV
Module	Damper Control Module 1-amp Fuse	ATO1*

* Available from RCD.

PRODUCT DATA INFORMATION

Compatible Communicating Products

Air Conditioning units - 24ANB1, 24ANB7, 24ANB6
Heat Pumps - 25HNB6, 25HNB9, 25VNA, 25HNB5
Gas Furnace - 58MVB, 58MVC, 58CVA, 58CVX
Fan Coils - FE
Small Packaged Products - 50XL/XT 48XL/XT

Physical Characteristics of SYSTXCCUIZ01

Dimensions: See drawing

Appearance: Plastic, white

Physical Characteristics of SYSTXCCSMS01

Dimensions: 4.0-in. (101.6 mm) high x 3.4-in. (86.4 mm) wide x 1.0-in. (25.4 mm) deep

Appearance: Plastic, white color, textured

Physical Characteristics of SYSTXCCRRS01

Dimensions: 2.5-in. (63.5 mm) high x 3.3-in. (83.8 mm) wide x 0.75-in. (19.1 mm) deep

Appearance: Plastic, white color, textured

Electrical Characteristics/Communication

Input Volts/Amps 24VAC

Each device in the Infinity System has a four-pin connector labeled ABCD. It is recommended that the following color code be used when wiring each device:

- A — Green = Data A
- B — Yellow = Data B
- C — White = 24VAC (Com)
- D — Red = 24VAC (Hot)

Environmental Requirements:

Operating Temperature/Relative Humidity:

User interface and all sensors: 32°F to 104°F (0°C to 40°C), 95% rh non-condensing

Storage Temperature/Relative Humidity:

User interface: -40°F to 134°F (-40°C to 56.7°C), 95% rh non-condensing

Damper Control Module: -40°F to 185°F (-40°C to 85°C), 41% rh non-condensing

Program Specifications:

Temperature setpoint range: 40°F to 90°F (4.4°C to 32.2°C)

Separate heat and cool setpoints

Programming days: 7 day

Programming periods: 2-Day, Sleep

4-Wake, Day, Eve, Sleep

Auto changeover (may be disabled)

Programmable fan (installer selectable)

Humidity Sensor Offsets

Hydronic Heat™ capable

Auto Changeover Timer (installer adjustable)

Smart Recovery (in heating and cooling)

Hold function

Copy functions: Copy period, day and zone

Permanent memory

Humidity display and control

Temperature sensor offsets (indoor and outdoor)

TrueSense™ Dirty Filter Detection

Wiring Requirements:

Power supply: Dedicated 24VAC, 40 va, 60 Hz, via indoor equipment ABCD Connector. Isolated transformer, field supplied.

Wiring material: Standard thermostat wire 18 to 24 gauge.

