

SYSTXCCUIZ01 – B Infinity™ Zone Control



Turn to the Experts.™

Product Data



A07258

NOTE: Infinity Zone Control compatible with Infinity rated indoor equipment only.

INFINITY™ ZONE CONTROL

Carrier specializes in creating a customized home comfort system tailored to your needs with our broad selection of residential heating and cooling products. The Infinity Zone Control System is the ultimate control center for all of your system components. When you add an Infinity Zone Control to a compatible variable speed furnace, fan coil, or small packaged product, you will enjoy longer heating and cooling cycles at lower fan speeds for a more consistent temperature throughout your home. By adding an Infinity or Performance compatible outdoor unit, your benefits will increase even more. Benefits include better humidity and temperature control as well as a more energy efficient comfort system.

INDUSTRY LEADING FEATURES/BENEFITS

Carrier's revolutionary Infinity Zone Control is the smart control of the future. The Infinity Zone Control features a large backlit liquid crystal display, making it easier to read the temperature, even at night. Intuitive prompts let you program everything from humidity levels to fan speeds, giving you ultimate control over your home comfort. The Infinity Zoning system does not require a bypass damper, leaving air temperature (LAT) sensor, or a field supplied power transformer.

- Up to 8 zones of control
- Patented automatic duct assessment design compensates for duct work variability
- No bypass damper required or recommended
- No LAT or HPT sensors required or recommended
- No field-installed transformer required
- Fan airflow adjustment by zone
- 4 wire installation from each component in the system
- Intuitive on screen prompts for ease of installation and service
- *Ideal Humidity™* settings are the default, no longer requiring increased system setup
- Complete integration of the temperature, humidity, and ventilation in every season
- TrueSense™ Dirty Filter Detection
- Indoor Air Quality pop-up reminders
- 7 day programmability with 2 or 4 periods per day
- Easy timed override schedule
- Simplified vacation schedules
- Day-at-a-glance programming for simplified ease of use
- Programmable fan by period
- General maintenance reminder messaging
- Optional Remote Access Kit can be added for access to your system from the internet or phone

MODEL NUMBER NOMENCLATURE

SYSTX	CC	UIZ	01	-B
Product Type	Brand	Model Type	Packaged Quantity	Software Version
Infinity System	Carrier	UIZ - Zone User Interface 4ZC - Damper Control Module NIM - Network Interface Module SAM - System Access Module RRS - Remote Room Sensor LBP - Large Backplate GRP - Green ABCD Connector		

SYSTXCCUIZ01 - B



As an Energy Star® Partner, Carrier Corporation has determined that this product meets the ENERGY STAR® guidelines for energy efficiency

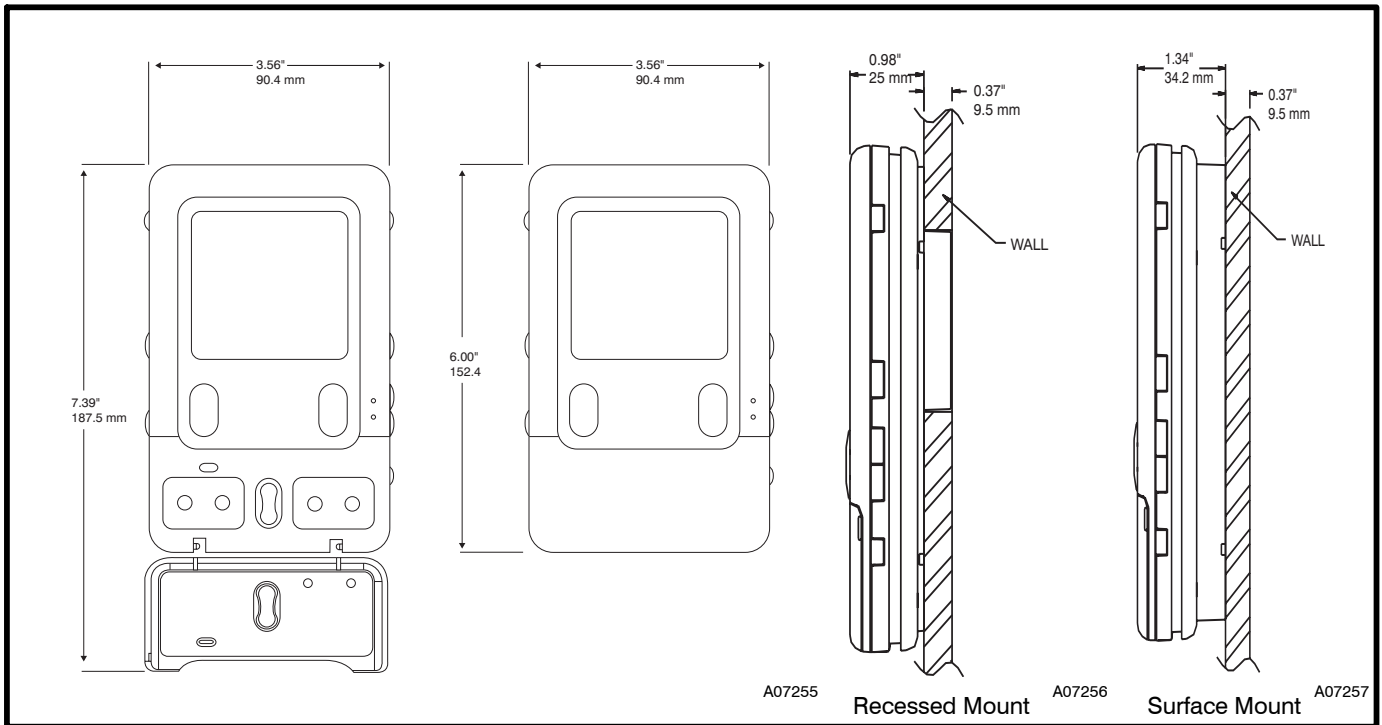


Fig. 1 - Unit Dimensions

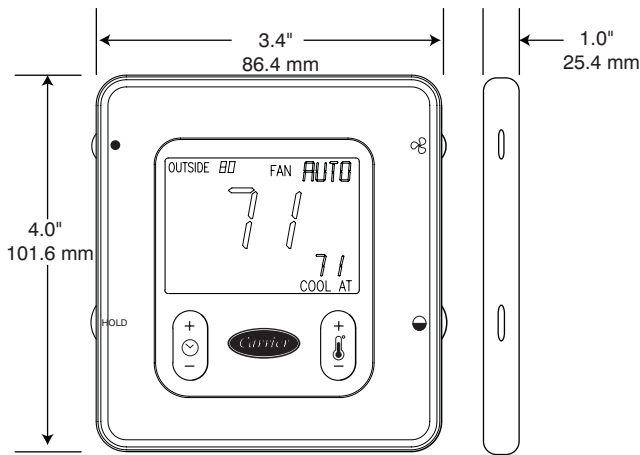


Fig. 2 – Smart Sensor Dimensions

A07266

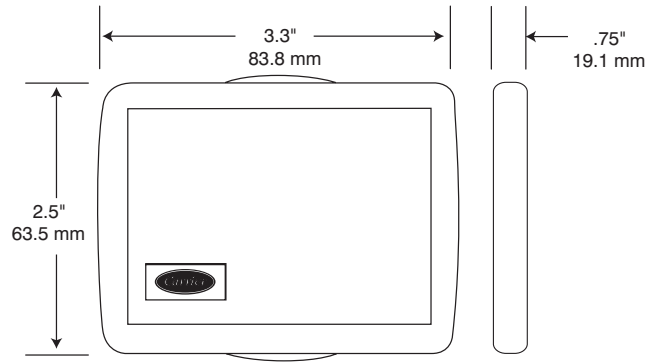


Fig. 3 – Remote Room Sensor Dimensions

A07267

ZONING EQUIPMENT

Description	Part No.
Infinity Zone Control	SYSTXCCUIZ01 – B
Infinity Network Interface Module (NIM)	SYSTXCCNIM01*
Infinity Damper Control Module (4 Zone)	SYSTXCCZC01†

NOTE: Each piece of zoning equipment is sold separately allowing for customization of the zoning application.

* Ventilator requires a Network Interface Module or Damper Control Module for operation.

Required to control a non-communicating heat pump in Hybrid Heat™ applications.

Required to control a non-communicating 2-stage AC or HP (38TDA, 38YDA)

† One damper control module handles up to 4 zones. A second damper control module is needed for zones 5–8.

OPTIONAL ACCESSORIES

Description	Part No.
Infinity System Smart Sensor	SYSTXCCSMS01*
Infinity Remote Room Sensor (RRS)	SYSTXCCRRS01
Infinity Large Decorative Backplate	SYSTXX0LBP01
Green Indoor Unit Plug (ABCD Connector) – 10 Pack Replacement	SYSTXGRPLG10
Infinity System Access Module (SAM)	SYSTXCCSAM01
Infinity System Access Module (Remote Access Kit, Skytel – based)	SYSTXCCSAM01
Infinity System Access Module (Remote Access Kit, Ethernet)	SYSTXCCCAT501
Infinity System Access Module (Remote Access Kit, WiFi – Ethernet)	SYSTXCCWIFI01

* A combination of Infinity Smart Sensors and Infinity Remote Room Sensors can be used in the zones.

REPLACEMENT ACCESSORIES

Description	Part No.
Outdoor Sensor	TSTATCCSEN01 – B
Damper Control Module 1 – amp Fuse	ATO1*

*Available from RCD

DAMPERS

Description	Part No.	
Round Dampers	6" / 152.4 mm	DAMPRND06INC – B
	8" / 203.2 mm	DAMPRND08INC – B
	10" / 254 mm	DAMPRND10INC – B
	12" / 304.8 mm	DAMPRND12INC – B
	14" / 355.6 mm	DAMPRND14INC – B
	16" / 406.4 mm	DAMPRND16INC – B
Rectangular Dampers	8" X 10" / 203.2 X 254 mm	DAMPREC08X10 – B
	8" X 14" / 203.2 X 355.6 mm	DAMPREC08X14 – B
	8" X 18" / 203.2 X 457.2 mm	DAMPREC08X18 – B
	8" X 24" / 203.2 X 609.6 mm	DAMPREC08X24 – B
	10" X 10" / 304.8 X 304.8 mm	DAMPREC10X10 – B
	10" X 14" / 304.8 X 355.6 mm	DAMPREC10X14 – B
	10" X 18" / 304.8 X 457.2 mm	DAMPREC10X18 – B
10" X 24" / 304.8 X 609.6 mm	DAMPREC10X24 – B	

SYSTXCCUIZ01 – B

DAMPERS (cont)

SYSTXCCUIZ01 - B

Description		Part No.
Slip-In Dampers	Side mount, 8" X 8" / 203.2 X 203.2 mm	DAMPSSL08X08-B
	Bottom mount, 8" X 8" / 203.2 X 203.2 mm	DAMPSLB08X08-B
	Side mount, 8" X 10" / 203.2 X 254 mm	DAMPSSL08X10-B
	Bottom mount, 8" X 10" / 203.2 X 254 mm	DAMPSLB08X10-B
	Side mount, 8" X 12" / 203.2 X 304.8 mm	DAMPSSL08X12-B
	Bottom mount, 8" X 12" / 203.2 X 304.8 mm	DAMPSLB08X12-B
	Side mount, 8" X 14" / 203.2 X 355.6 mm	DAMPSSL08X14-B
	Bottom mount, 8" X 14" / 203.2 X 355.6 mm	DAMPSLB08X14-B
	Side mount, 8" X 16" / 203.2 X 406.4 mm	DAMPSSL08X16-B
	Bottom mount, 8" X 16" / 203.2 X 406.4 mm	DAMPSLB08X16-B
	Side mount, 8" X 18" / 203.2 X 457.2 mm	DAMPSSL08X18-B
	Bottom mount, 8" X 18" / 203.2 X 457.2 mm	DAMPSLB08X18-B
	Side mount, 8" X 20" / 203.2 X 508 mm	DAMPSSL08X20-B
	Bottom mount, 8" X 20" / 203.2 X 508 mm	DAMPSLB08X20-B
	Side mount, 8" X 22" / 203.2 X 558.9 mm	DAMPSSL08X22-B
	Bottom mount, 8" X 22" / 203.2 X 558.9 mm	DAMPSLB08X22-B
	Side mount, 8" X 24" / 203.2 X 609.6 mm	DAMPSSL08X24-B
	Bottom mount, 8" X 24" / 203.2 X 609.6 mm	DAMPSLB08X24-B
	Side mount, 10" X 10" / 254 X 254 mm	DAMPSSL10X10-B
	Bottom mount, 10" X 10" / 254 X 254 mm	DAMPSLB10X10-B
	Side mount, 10" X 12" / 254 X 304.8 mm	DAMPSSL10X12-B
	Bottom mount, 10" X 12" / 254 X 304.8 mm	DAMPSLB10X12-B
	Side mount, 10" X 14" / 254 X 355.6 mm	DAMPSSL10X14-B
	Bottom mount, 10" X 14" / 254 X 355.6 mm	DAMPSLB10X14-B
	Side mount, 10" X 16" / 254 X 406.4 mm	DAMPSSL10X16-B
	Bottom mount, 10" X 16" / 254 X 406.4 mm	DAMPSLB10X16-B
	Side mount, 10" X 18" / 254 X 457.2 mm	DAMPSSL10X18-B
	Bottom mount, 10" X 18" / 254 X 457.2 mm	DAMPSLB10X18-B
	Side mount, 10" X 20" / 254 X 508 mm	DAMPSSL10X20-B
	Bottom mount, 10" X 20" / 254 X 508 mm	DAMPSLB10X20-B
	Side mount, 10" X 22" / 254 X 558.9 mm	DAMPSSL10X22-B
	Bottom mount, 10" X 22" / 254 X 558.9 mm	DAMPSLB10X22-B
	Side mount, 10" X 24" / 254 X 609.6 mm	DAMPSSL10X24-B
	Bottom mount, 10" X 24" / 254 X 609.6 mm	DAMPSLB10X24-B
	Side mount, 12" X 12" / 304.8 X 304.8 mm	DAMPSSL12X12-B
	Bottom mount, 12" X 12" / 304.8 X 304.8 mm	DAMPSLB12X12-B
	Side mount, 12" X 14" / 304.8 X 355.6 mm	DAMPSSL12X14-B
	Bottom mount, 12" X 14" / 304.8 X 355.6 mm	DAMPSLB12X14-B
	Side mount, 12" X 16" / 304.8 X 406.4 mm	DAMPSSL12X16-B
	Bottom mount, 12" X 16" / 304.8 X 406.4 mm	DAMPSLB12X16-B
	Side mount, 12" X 18" / 304.8 X 457.2 mm	DAMPSSL12X18-B
	Bottom mount, 12" X 18" / 304.8 X 457.2 mm	DAMPSLB12X18-B
	Side mount, 12" X 20" / 304.8 X 508 mm	DAMPSSL12X20-B
	Bottom mount, 12" X 20" / 304.8 X 508 mm	DAMPSLB12X20-B
	Side mount, 14" X 14" / 355.6 X 355.6 mm	DAMPSSL14X14-B
	Bottom mount, 14" X 14" / 355.6 X 355.6 mm	DAMPSLB14X14-B
	Side mount, 14" X 16" / 355.6 X 406.4 mm	DAMPSSL14X16-B
	Bottom mount, 14" X 16" / 355.6 X 406.4 mm	DAMPSLB14X16-B
	Side mount, 14" X 20" / 355.6 X 508 mm	DAMPSSL14X20-B
	Bottom mount, 14" X 20" / 355.6 X 508 mm	DAMPSLB14X20-B
Side mount, 16" X 16" / 406.4 X 406.4 mm	DAMPSSL16X16-B	
Bottom mount, 16" X 16" / 406.4 X 406.4 mm	DAMPSLB16X16-B	
Bottom mount, 16" X 20" / 406.4 X 508 mm	DAMPSLB16X20-B	

DAMPER REPLACEMENT ACCESSORIES

Description		Part No.
Actuators	45° Actuator for round dampers	DAMPACT45DEG-R
	90° Actuator for rectangular dampers	DAMPACT90DEG-R
	Damper Actuator Cover	DAMPACTXXCOV
	Damper Control Module 1-amp Fuse	ATO1*

*Available from RCD.

PRODUCT DATA INFORMATION

Compatible Communicating Products

Air Conditioning units - 24AN1, 24ANA7, 24APA5, 24APA3
Heat Pumps - 25HNA6, 25HNA9, 25HPA3, 25HPA4, 25HPA5
Gas Furnace - 58MVB, 58MVC, 58CVA, 58UVB
Fan Coils - FE
Small Packaged Products - 50XL/XT, 50DU/DT, 50CE/CR, 48XL/XT, 48DU/DT, 48CE

Physical Characteristics of SYSTXCCUIZ01

Dimensions: See drawing

Appearance: Plastic, white color, textured

Physical Characteristics of SYSTXCCSMS01

Dimensions: 4.0" / 101.6 mm high x 3.4" / 86.4 mm wide x 1.0" / 25.4 mm deep

Appearance: Plastic, white color, textured

Physical Characteristics of SYSTXCCRRS01

Dimensions: 2.5" / 63.5 mm high x 3.3" / 83.8 mm wide x 0.75" / 19.1 mm deep

Appearance: Plastic, white color, textured

Electrical Characteristics/Communication

Input Volts/Amps 24VAC

Each device in the Infinity System has a four-pin connector labeled ABCD. It is recommended that the following color code be used when wiring each device:

- A — Green = Data A
- B — Yellow = Data B
- C — White = 24VAC (Com)
- D — Red = 24VAC (Hot)

Environmental Requirements:

Operating Temperature/Relative Humidity:

User interface and all sensors: 32°F to 104°F / 0°C to 40°C, 95% rh non-condensing

Storage Temperature/Relative Humidity:

User interface: -40°F to 134°F / -40°C to 56.7°C, 95% rh non-condensing

Damper Control Module: -40°F to 185°F / -40°C to 85°C, 41% rh non-condensing

Program Specifications:

Temperature setpoint range: 40°F to 90°F / 4.4°C to 32.2°C

Separate heat and cool setpoints

Programming days: 7 day

Programming periods: 2-Day, Sleep

4-Wake, Day, Eve, Sleep

Auto changeover (may be disabled)

Programmable fan (installer selectable)

Humidity Sensor Offsets

Auto Changeover Timer (installer adjustable)

Smart Recovery (in heating and cooling)

Hold function

Copy functions: Copy period, day and zone

Permanent memory

Humidity display and control

Temperature sensor offsets (indoor and outdoor)

TrueSense™ Dirty Filter Detection

Wiring Requirements:

Power supply: Dedicated 24VAC, 40 va, 60 Hz, via indoor equipment ABCD Connector. Isolated transformer, field supplied.

Wiring material: Standard thermostat wire 18 to 24 gauge.

